



KATALOG

Sadržaj:

 ZIDNI HIDRANTSKI ORMARI

 ORMARI ZA PODZEMNE
HIDRANTE

 ORMARI ZA NADZEMNE
HIDRANTE

 ORMARI ZA PP APARATE

 SANDUCI ZA PESAK

 ORMARI SA KOTUROM

 ORMAR ZA PLIN

 ORMARIĆ PRVE POMOĆI

 GARDEROBNI ORMARI

 HIDRANTSKI NASTAVCI

 MLAZNICE

 STABILNE SPOJKE

 POTISNE SPOJKE

 USISNE SPOJKE

 SLEPE SPOJKE


 REDUCIR SPOJKE

 VENTILI UGAONI

 USISNE KORPE

 KLJUČEVI

 PROTIVPOŽARNI APARATI

 REZERVNI DELOVI ZA
PP APARATE

 VATROGASNA CREVA

Content:

2 *WALL HYDRANT CABINET*

3 *CABINETS FOR
UNDERGROUND HYDRANTS*

3 *CABINETS FOR SURFACE
HYDRANTS*

4 *CABINETS FOR FIRE-
EXTINGUISHERS*

5 *CASES FOR SAND*

5 *HYDRANT REEL CABINETS*

5 *CABINET FOR GAS*

5 *FIRST AID CABINET*

5 *CABINETS FOR WARDROBE*

6 *STANDPIPES*

7 *BRANCHPIPES*

8 *STABLE COUPLINGS*

9 *DELIVERY COUPLINGS*

10 *SUCTION COUPLINGS*

11 *BLIND COUPLINGS*

11 *REDUCTION COUPLINGS*

12 *ANGLE VALVE*

13 *SUCTION STRAINERS*

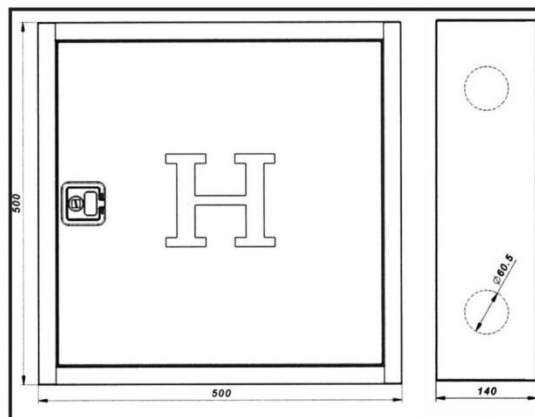
13 *KEYS*

14 *FIRE EXTINGUISHERS*

15 *PARTS FOR FIRE
EXTINGUISHERS*

16 *FIRE HOSE*

ZIDNI HIDRANTSKI ORMARI WALL HYDRANT CABINETS



Standardna pripadajuća oprema uz hidrantski ormar:

- crevo Ø52x15m sa spojkama;
- ugaoni ventil Al, sa spojkom Ø52;
- mlaznica Ø52 Al.

Površinska zaštita za zidne ormare – plastifikacija.

Cabinet contents:

- fire hose Ø52x15m with coupling,
- angle valve Ø52 Al, with stable coupling,
- branch pipe Ø52 Al.

Surface protection – plastification.

Šifra code	Tip ormara type of cabinet	Materijal material	Težina weight
500002	Zidni ormar – puna vrata Wall hydrant cabinet - tin door	Lim HVL0146 sheet metal	4,8 kg
500003	Zidni ormar – staklena vrata Wall hydrant cabinet - glass door	Lim HVL0146, staklo sheet metal, glass	5,0 kg
500004	Zidni ormar – staklena vrata, bravica Wall hydrant cabinet - glass door and lock	Lim HVL0146, staklo, plastika sheet metal, glass, plastic	5,0 kg
500005	Zidni ormar – INOX, puna vrata Inox hydrant cabinet - tin door	Lim Č4580 sheet metal	5,0 kg
500006	Zidni ormar – INOX, staklena vrata Inox hydrant cabinet - glass door	Lim Č4580, staklo sheet metal, glass	5,2 kg
500007	Zidni ormar – INOX, brušeno staklo, bravica Inox hydrant cabinets, glass door sanded and lock	Lim Č4580, staklo, plastika tin sanded, glass, plastic	5,2 kg

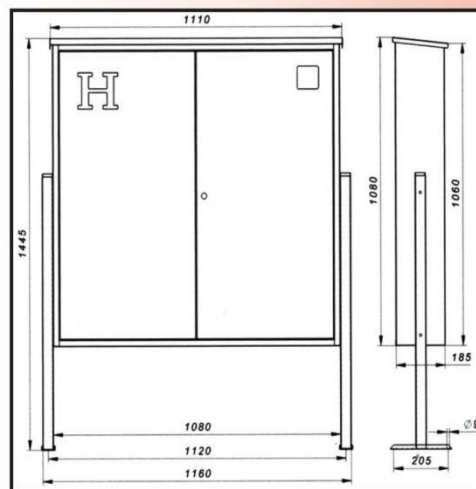
ORMAR ZA PODZEMNI HIDRANT CABINETS FOR UNDERGROUND HYDRANT



komplet – 500014 *set*

Standardna pripadajuća oprema uz hidrantski ormar:

- hidrantski nastavak B/2C - 1 kom;
- crevo Ø52x15m - 4 kom;
- mlaznica Ø52 Al - 2 kom;
- ključ T - 1 kom;
- ključ ABC - 2 kom.



prazan – 500013 *empty*

Cabinet contents:

- standpipe DN 80/2C - 1 piece,
- fire hose Ø52x15m - 4 pieces;
- branchpipe Ø52 Al - 2 pieces;
- underground hydrant key - 1 piece;
- key for coupling ABC - 2 pieces.

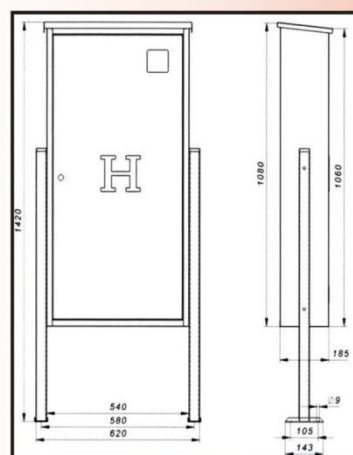
ORMAR ZA NADZEMNI HIDRANT CABINETS FOR SURFACE HYDRANT



komplet – 500012 *set*

Standardna pripadajuća oprema uz hidrantski ormar:

- crevo Ø52x15m - 2 kom;
- mlaznica Ø52 Al - 2 kom;
- ključ za nadzemni hidrant - 1 kom;
- ključ ABC - 1 kom;
- ključ C - 1 kom.

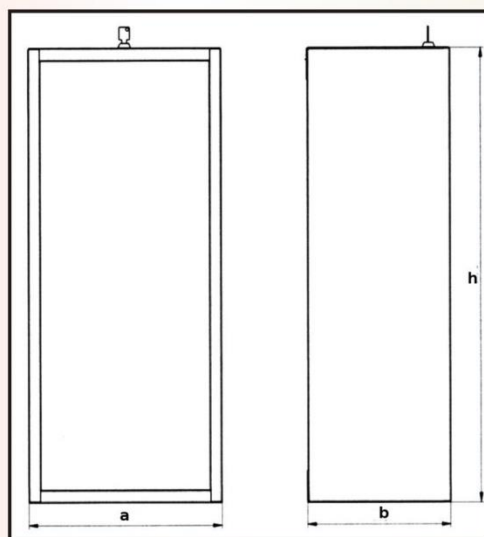


prazan – 500011 *empty*

Cabinet contents:

- fire hose Ø52x15m - 2 pieces;
- branchpipe Ø52 Al - 2 pieces;
- surface hydrant key - 1 piece;
- key for coupling ABC - 1 piece;
- key C - 1 piece.

ORMARI ZA PROTIVPOŽARNE APARATE CABINETS FOR FIRE - EXTINGUISHER



Šifra code	Tip ormara type of cabinets	a	h	b	Materijal material	Težina weight
500030	Ormar aparata S6, puna vrata <i>cabinet for fire-extinguisher S6, tin door</i>	290	540	250	Lim <i>sbeet metal</i>	8 kg
500031	Ormar aparata S6, bravica i staklo <i>cabinet for fire-extinguisher S6, glass door with lock</i>	290	540	250	Lim, staklo, plastika <i>sbeet metal, glass, plastic</i>	7 kg
500032	Ormar aparata S9, bravica <i>cabinets for fire-extinguisher S9, tin with lock</i>	290	665	250	Lim, plastika <i>sbeet metal, plastic</i>	8 kg
500033	Ormar aparata S9, bravica i staklo <i>cabinets for fire-extinguisher S9, glass door with lock</i>	290	665	250	Lim, staklo, plastika <i>sbeet metal, glass, plastic</i>	9,3 kg
500034	Ormar aparata CO ₂ -5, bravica <i>cabinets for fire-extinguisher CO₂-5, with lock</i>	290	840	250	Lim, plastika <i>sbeet metal, plastic</i>	11 kg
500035	Ormar aparata CO ₂ -5, bravica i staklo <i>cabinets for fire-extinguisher CO₂-5, glass door with lock</i>	290	840	250	Lim, staklo, plastika <i>sbeet metal, glass, plastic</i>	11 kg



SANDUCI ZA PESAK
CASES FOR SAND

Šifra <i>code</i>	Dimenzija <i>dimension</i>	Zapremina <i>capacity</i>
500040	970x750x600	0,46 m ³
500039	800x700x600	0,33 m ³
500041	700x550x600	0,25 m ³



ORMARI SA KOTUROM
HYDRANT REEL CABINETS

Šifra <i>code</i>	Vrsta ormara <i>type of cabinets</i>	Crevo <i>fire hose</i>	Dimenzija <i>dimension</i>
500009	Staklo, bravica <i>glass door with lock</i>	Ø52/20m	550x180x650



ORMARIĆ ZA PLIN
CABINET FOR GAS

Šifra <i>code</i>	Vrsta ormara <i>type of cabinets</i>	Dimenzija <i>dimension</i>
500050	Puna vrata-tin door	600x600x250
500051	Staklena vrata-glass door	600x600x250



ORMARIĆ PRVE POMOĆI
FIRST AID CABINET

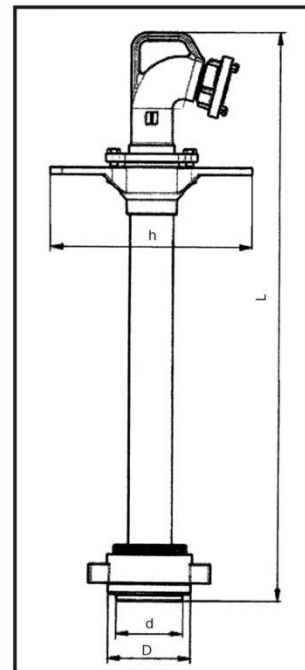
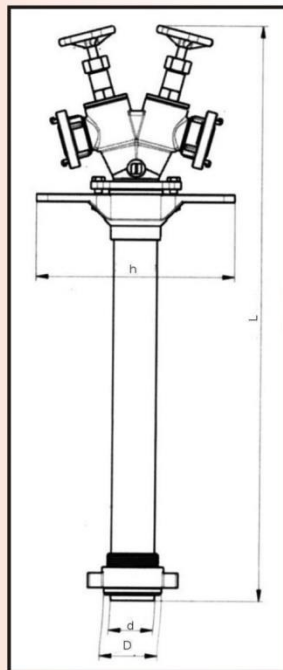
Šifra <i>code</i>	Vrsta ormara <i>type of cabinets</i>	Dimenzija <i>dimension</i>
500025	Tip 1 <i>type 1</i>	260x340x140
500026	Tip 2 <i>type 2</i>	300x300x150



GARDEROBNI ORMARI
CABINETS FOR WARDROBE

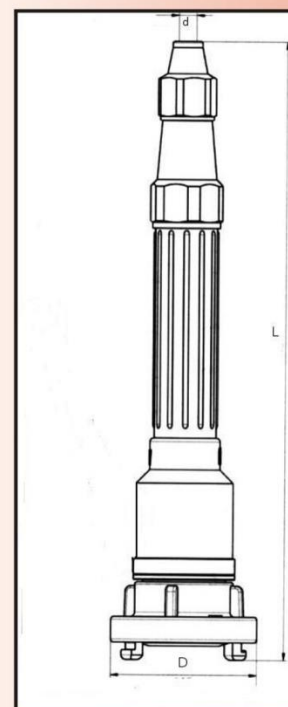
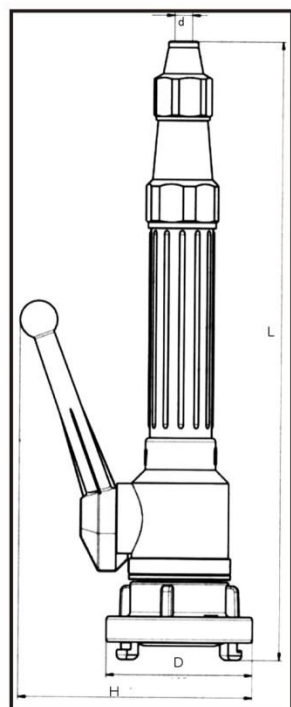
Šifra <i>code</i>	Vrsta ormara <i>type of cabinets</i>	Dimenzija <i>dimension</i>
500021	Jednokrilni- <i>one door</i>	365x1850x500
500020	Dvokrilni- <i>double door</i>	705x1850x500

HIDRANTSKI NASTAVCI STANDPIPES



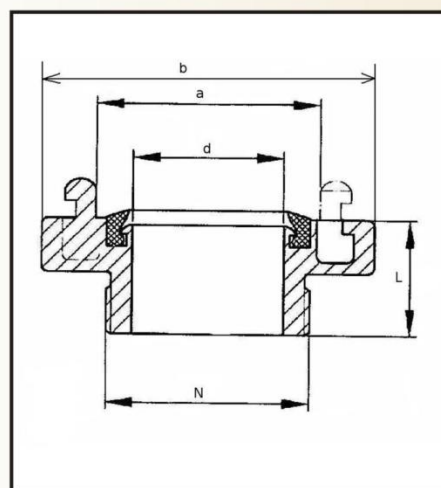
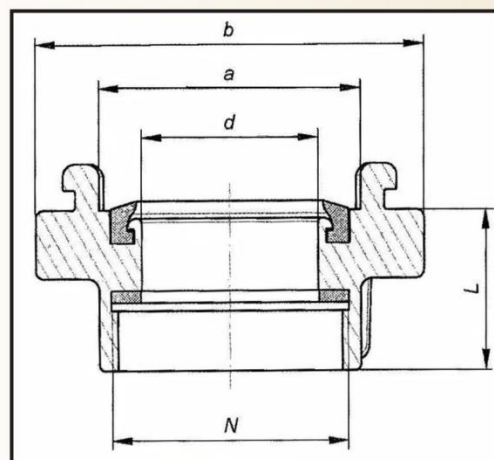
Šifra code	Tip hidranta type of hydrant	SRPS	h	L	D	d	Stabilna spojka stable coupling	Težina weight
400097	DN100/2B		330	1075	136	110	A	8,80 kg
400096	DN100/B		330	915	136	110	A	8,30 kg
400095	DN80/2B	Z.C1.025	330	1065	94	72	B	7,20 kg
400036	DN80/2C	Z.C1.023	330	1000	94	72	C	5,71 kg
400023	DN50/2C	Z.C1.024	330	1000	80	55	C	4,20 kg
400094	DN80/B	Z.C1.021	330	915	94	72	B	6,70 kg
400037	DN80/C		330	910	94	72	C	4,40 kg
400024	DN50/C	Z.C1.022	330	910	80	55	C	3,90 kg

MLAZNICE BRANCHPIPES



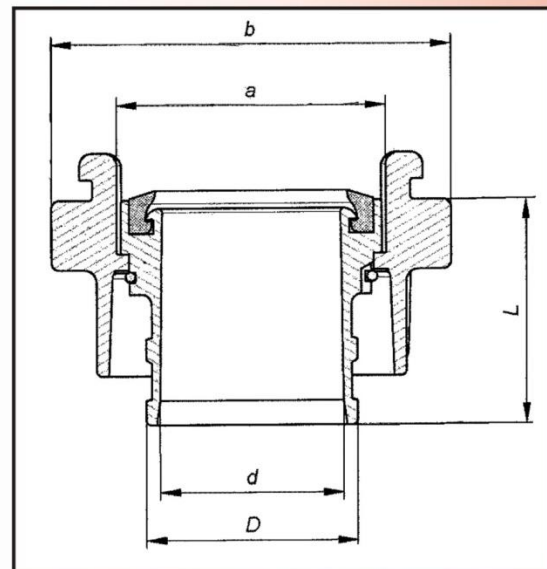
Šifra code	Naziv name	SRPS	Spojka coupling	L	D	d	H	Težina weight
400003	Mlaznica sa ručkom C <i>branchpipe with handle C</i>	Z.C1.063	C	400	98	12	130	1,20 kg
400004	Mlaznica sa ručkom B <i>branchpipe with handle B</i>	Z.C1.064	B	500	126	16	166	2,40 kg
400000	Mlaznica sa spojkom D <i>branchpipe with coupling D</i>	Z.C1.060	D	175	55	6	55	0,30 kg
400002	Mlaznica Al sa spojkom C <i>branchpipe with coupling C</i>	Z.C1.061	C	380	98	12	98	0,73 kg
400001	Mlaznica PVC sa spojkom C <i>PVC branchpipe with coupling C</i>		C	320	98	12	98	0,40 kg

STABILNE SPOJKE
STABLE COUPLING



Šifra code	Vrsta type	SRPS	b	a	d	N	L	Težina weight
400005	D (Ø25)	Z.C1.674	55	31	18	1"	31	0,08 kg
400010	C (Ø52)	Z.C1.673	98	66	44	2"	37,5	0,26 kg
400030	B (Ø75)	Z.C1.672	126	89	62,5	2 1/2"	42	0,62 kg
400041	A (Ø110)	Z.C1.671	182	133	100	4 1/2"	49	1,04 kg
400011	C SN (Ø52) external thread C		98	66	44	2"	35	0,30 kg
400031	B SN (Ø75) external thread B		126	89	62.5	2 1/2"	45	0,67 kg
400042	A SN (Ø110) external thread A		182	133	100	4 1/2"	52	1,14 kg

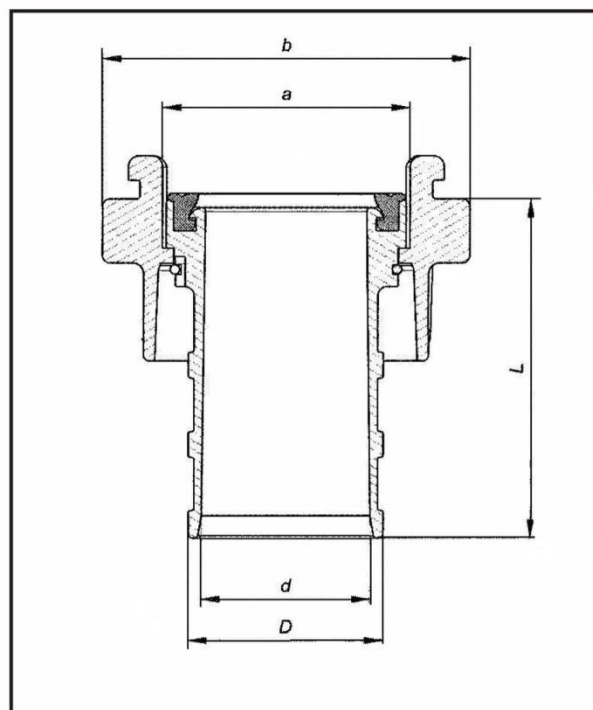
POTISNE SPOJKE
DELIVERY COUPLINGS



Šifra code	Vrsta type	SRPS	b	a	d	D	L	Težina weight
400006	D (Ø25)	Z.C1.654	55	31	18	24,5	55	0,04 kg
400012	C (Ø52)	Z.C1.653	98	66	44	51,8	55	0,33 kg
400032	B (Ø75)	Z.C1.652	126	89	62,5	74,6	87	0,65 kg
400043	A (Ø110)	Z.C1.651	182	133	100	109,5	115	1,40 kg

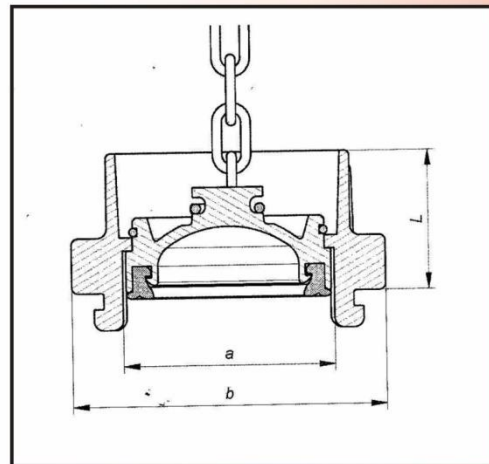
USISNE SPOJKE

SUCTION COUPLINGS



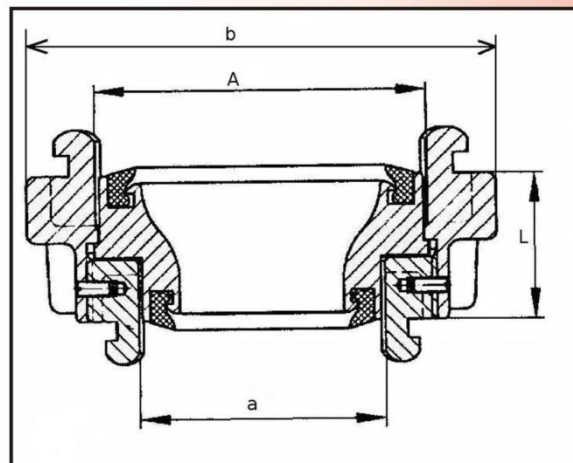
Šifra code	Vrsta type	SRPS	b	a	d	D	L	Težina weight
400006	D (Ø25)	Z.C1.654	55	31	18	24,5	52	0,45 kg
400016	Ø38		98	66	38	42	92	0,40 kg
400012	C (Ø52)	Z.C1.663	98	66	45	52	92	0,36 kg
400032	B (Ø75)	Z.C1.662	126	89	65	74,6	125	0,67 kg
400043	A (Ø110)	Z.C1.661	182	133	100	109,5	158	1,65 kg

SLEPE SPOJKE BLIND COUPLINGS



Šifra code	Vrsta type	SRPS	a	b	L	Težina weight
400007	D (Ø25)	Z.C1.684	31	55	28	0,09 kg
400014	C (Ø52)	Z.C1.683	66	98	40	0,35 kg
400034	B (Ø75)	Z.C1.682	89	126	45	0,55 kg
400045	A (Ø110)	Z.C1.681	133	182	48	1,40 kg

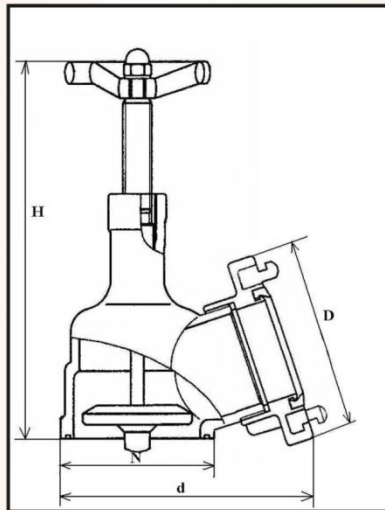
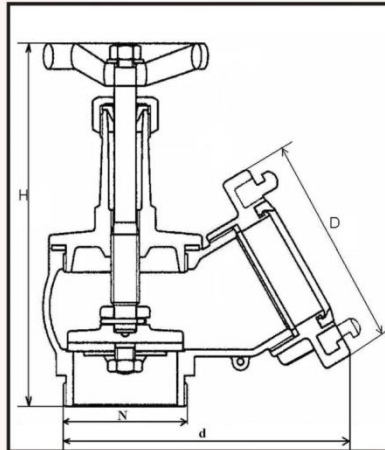
REDUCIR SPOJKE REDUCTION COUPLINGS



Šifra code	Vrsta type	SRPS	a	A	b	L	Težina weight
400008	C/D (Ø52/25)	Z.C1.688	31	66	98	36,5	0,35 kg
400015	Ø52/38		38	66	98	36,5	0,40 kg
400034	B/C (Ø75/52)	Z.C1.687	66	89	126	39	0,58 kg
400046	A/B (Ø110/75)	Z.C1.686	89	133	182	47	1,60 kg

UGAONI VENTILI

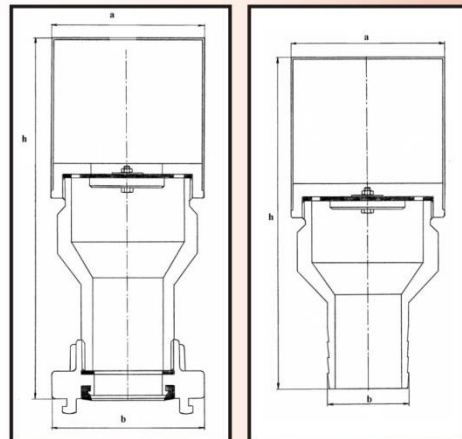
ANGLE VALVE



Šifra code	Vrsta type	Navoj thread	H	d	D	N	Težina weight
400019	Al Ø52	G 2"	187	150	98	2"	0,99 kg
400090	Ms Ø52	G 2"	182	145	98	2"	1,60 kg
400050	FS-37	G 2 1/2"	235	170	126	106	1,90 kg

Šifra code	Delovi parts	Karakteristike properties	Dimenzije dimension	Težina weight
400054	Okretni nastavak <i>rotary coupling</i>	Navoj 2" <i>thread 2"</i>	Visina 49 mm <i>height 49 mm</i>	0,40 kg
400022	Toččić ventila <i>wheel for valve</i>	Kvadrat 0,10 mm <i>square 0,10 mm</i>	Spoljašnji prečnik 85 mm <i>external diameter 85 mm</i>	0,10 kg
400020	Virbla ventila <i>swivel valve</i>	Visina min.137 mm <i>height min.137 mm</i>	Visina max. 162 mm <i>height max. 162 mm</i>	0,25 kg

USISNE KORPE SUCTION STAINERS



Šifra code	Vrsta type	SRPS	h	a	b	Težina weight
400018	Sa grlom C <i>with throat C</i>	Z.C1.042	190	98	52	0,75 kg
400017	Sa spojkom C <i>with coupling C</i>	Z.C1.042	210	98	98	1,10 kg
400035	Sa grlom B <i>with throat B</i>	Z.C1.041	205	110	75	1,00 kg
400039	Sa spojkom B <i>with coupling B</i>	Z.C1.041	225	110	126	1,40 kg

KLJUČEVI KEYS



Šifra code	Vrsta type	Dužina length	Širina width	Visina height	Materijal supplies	Težina weight
500001	Ključ T <i>T key</i>	980	430	60	Fe	1,9 kg
400048	Ključ ABC <i>ABC key</i>	480	95	11	Al	0,4 kg
400027	Ključ C <i>C key</i>	210	55	11	Al	0,1 kg
400049	Ključ za nadzemni hidrant <i>key for underground hydrant</i>	580	107	90	Al	1,1 kg

PROTIVPOŽARNI APARATI FIRE-EXTINGUISHERS



Šifra code	Vrsta type	Punjenje charge	Težina weight
500026	S-1 A	Vatrogasni prah – 1kg <i>powder fire - 1kg</i>	1,5 kg
500004	S-2 A	Vatrogasni prah – 2kg <i>powder fire - 2kg</i>	2,8 kg
500005	S-3 A	Vatrogasni prah – 3kg <i>powder fire - 3kg</i>	4,0 kg
500006	S-6 A	Vatrogasni prah – 6kg <i>powder fire - 6kg</i>	8,5 kg
500007	S-9 A	Vatrogasni prah – 9kg <i>powder fire - 9kg</i>	11,5 kg
500000	S-50 A	Vatrogasni prah – 50kg <i>powder fire - 50kg</i>	70,0 kg
500001	CO ₂ -5	Vatrogasni prah – 5kg <i>powder fire - 5kg</i>	18,8 kg
500027	CO ₂ -10	Vatrogasni prah – 10kg <i>powder fire - 10kg</i>	27,0 kg

DELOVI ZA PP APARATE PARTS FOR FIRE - EXTINGUISHER

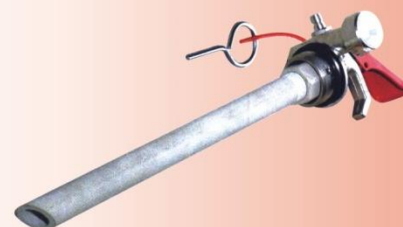


Ventil za PP aparate (šifra-510017)

- ulazni navoj 30x1,5
- izlazni navoj 14x1,5
- navoj za manometar 1/8x27
- navoj na usponskoj cevi 14x1,25

Valve for fire extinguisher (code-510017)

- inlet thread 30x1,5
- outlet thread 14x1,5
- gauge connection thread 1/8x27
- dip tube thread 14x1,25



Pogonski mehanizam (510018)
Power mechanism



Manometar (211015)
Fire extinguisher gauge



Mlaznica za PP aparate (200017)
Fire extinguisher branchpipe



Zaptivač, prsten (200053)
Ring for fire extinguisher



Crevo za PP aparat (200016)
Hose for fire extinguisher



Mlaznica sa crevom za aparat CO₂-5 (200019)
Branchpipe with hose for CO₂-5 fire extinguisher



Konusni Ms ventil za CO₂ aparate (500014)
Conical Ms valve for CO₂ fire extinguishers



Konusni potezni ventil za CO₂ aparate (510016)
Pull conical valve for CO₂ fire extinguishers

VATROGASNA CREVA FIRE HOSES



Vatrogasna creva odgovaraju zahtevima standarda SRPS-a
Spoljašnji deo creva izrađen je od poliester vlakana
Unutrašnji sloj je od poliuretana

*Fire hoses fit SRPS standard.
The exterior of the hose is made of polyester fibers.
An internal layer made of polyurethane.*

Šifra code	Vrsta type	Nazivni prečnik rated diameter	Nominalni pritisak nominal pressure	Kontrolni pritisak control pressure	Pritisak prskanja bursting pressure	Težina weight
400103	Ø25/16b "Jablanica"	DN25	PN16	25 bar	35 bar	2,0 kg
400121	Ø52/12b "Obnica"	DN52	PN12	20 bar	31 bar	3,1 kg
400123	Ø52/22b "Jablanica"	DN52	PN22	40 bar	50 bar	3,2 kg
400125	Ø52/32b "Kolubara"	DN52	PN32	50 bar	65 bar	3,3 kg
400131	Ø75/10b "Jablanica"	DN75	PN10	20 bar	36 bar	5,0 kg
400141	Ø110/10b "Jablanica"	DN110	PN10	20 bar	36 bar	7,0 kg

GUMENA CREVA RUBBER HOSE

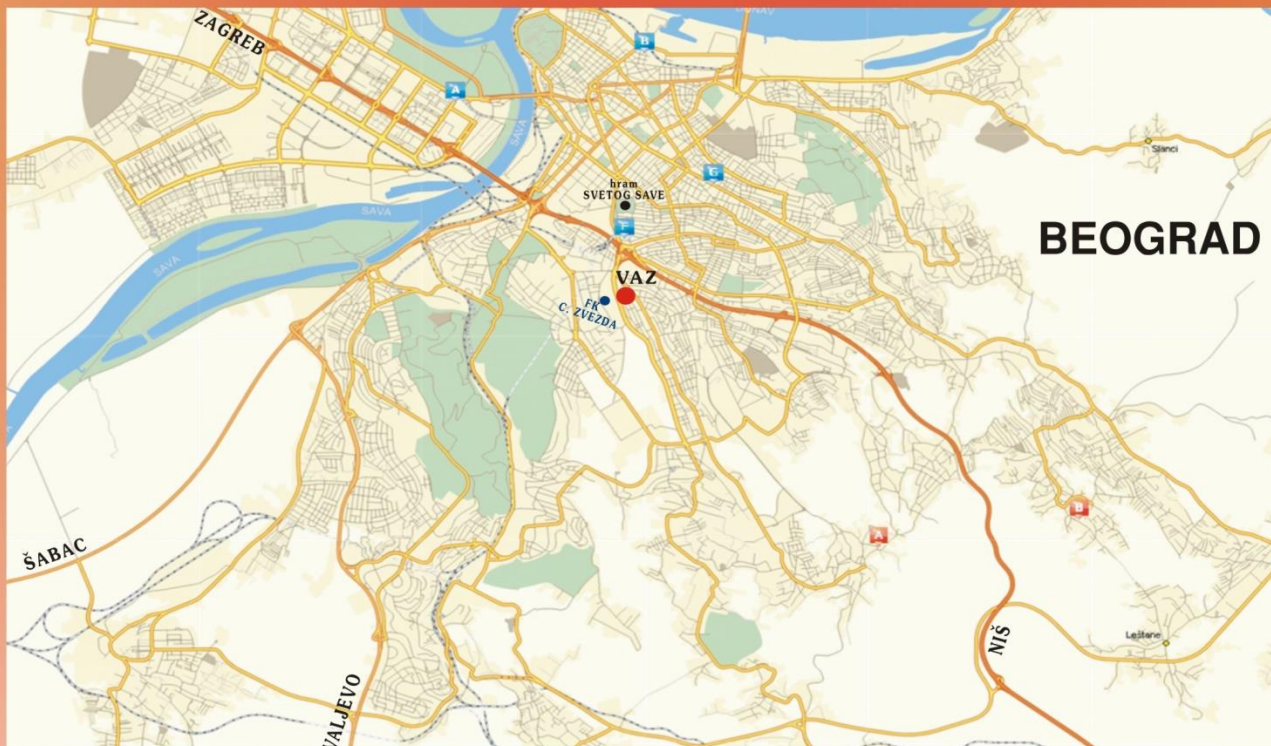


Sastav creva: sirova guma RB-65,
gumirano platno,
patentirana žica 3.

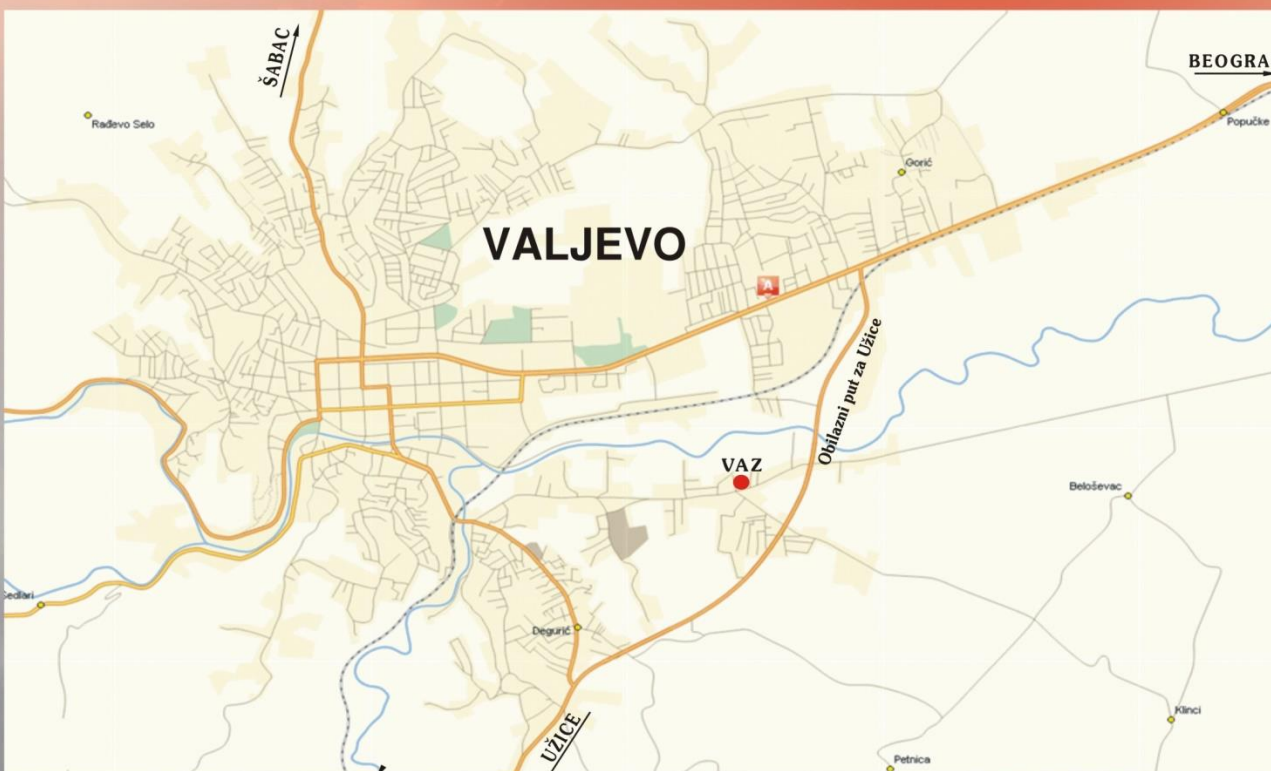
*Hose structure: raw rubber RB-65,
rubberized canvas,
patented wire 3.*

Šifra code	Vrsta type	Nazivni prečnik rated diameter	Pritisak pressure	Težina po metru weight by meter
200050	Gumeno crevo za vodu C <i>rubber hose for water C</i>	DN52	3 ba	1,75 kg
200051	Gumeno crevo za vodu B <i>rubber hose for water B</i>	DN75	3 ba	2,64 kg
200052	Gumeno crevo za vodu A <i>rubber hose for water A</i>	DN110	3 ba	3,30 kg
200053	Gumeno crevo za cement A <i>rubber hose for cement A</i>	DN100	10 ba	3,50 kg
200054	Gumeno crevo za cement A <i>rubber hose for cement A</i>	DN110	10 ba	3,60 kg

**KAKO DO NAS?
HOW TO REACH US?**



VAZ doo 11000 Beograd Jove Ilića 25
++381 (0) 11 397 96 39 fax: ++381 (0) 11 246 38 47
www.vaz.co.rs e-mail: office@vaz.co.rs



VAZ doo 14000 Valjevo Srbija
++381 (0) 14 215 414, 215 390, 3510 931 fax: ++381 (0) 14 230 581
www.vaz.co.rs e-mail: office@vaz.co.rs