



Komak-M[®] d.o.o.
ALEKSINAC

Sadržaj

Content

	Sanitarne armature Sanitary program	1 15		Kolektor za regulaciju Regulating manifold	70 75
	Ventil sigurnosti Safety valve	16 19		Kompresioni fitting Compression fitting	76 101
	Virble Headworks	20 23		Adapter za PE-X-AI-PE-X cevi 3/4" Ø16x2 (eurokonus) Adapter for PE-X-AI-PE-X pipes 3/4" Ø16x2 (eurokonus)	102 102
	Ravno propusni ventil Straight stop valve	24 31		Priključak kolektora End fitting for manifolds	103 104
	Nadgradnje Upgradings	32 35		Kolektorski ormar Cabinet for manifolds	105 107
	Kuglasti ventil sa zaključavanjem Locking ball valve	36 37		Rdijatorski ventil ugaoni Angle radiator valve	108 112
	Ugaoni ventil Angle valve	38 39		PPR Fiting PPR Fittings	113 116
	Baštenska slavina Bibcocks	40 40		PPR Ventili PPR Valves	117 120
	Spojnice Couplings	41 46		Nepovratni ventili Check valves	121 122
	Spojnice tip H Coupling type H	47 52		Fiting Fittings	123 130
	Spojnice tip N01 Coupling type N01	53 58		Dupli nipli za gasnu instalaciju Double nipple for gas installation	131 131
	Spojnice tip N02 Coupling type N02	59 64		Prirubnice Brass flange for electric heater	132 138
	Klizna spojnica Fitting for iron pipe	65 66		Rezervni delovi Spare parts	139 155
	Spojnice Couplings	67 69			

Sanitarne armature

Sanitary program



Tuš baterija

Bath mixer with flexible hose and shower



Šifra proizvoda Code	Veličina Size	Pakovanje Pack	Težina Weight [kg]
64.12.*0.0.256	1/2"	4	1,670
64.12.*0.0.257	1/2"	4	1,610
64.12.*0.0.258	1/2"	4	1,765

Rukohvata / Handle	* - Virbla / Headwork
256 - Plastični rukohvat / Plastic handle	0 - Virbla / Headwork
257 - Plastični rukohvat / Plastic handle	1 - Keramička virbla / Ceramic headwork
258 - Metalni rukohvat / Metal handle	

Tuš baterija sa ručnim tušem

Bath mixer with shower set



Šifra proizvoda Code	Veličina Size	Pakovanje Pack	Težina Weight [kg]
64.12.*1.0.256	1/2"	4	1,110
64.12.*1.0.257	1/2"	4	1,054
64.12.*1.0.258	1/2"	4	1,208

Rukohvata / Handle	* - Virbla / Headwork
256 - Plastični rukohvat / Plastic handle	0 - Virbla / Headwork
257 - Plastični rukohvat / Plastic handle	1 - Keramička virbla / Ceramic headwork
258 - Metalni rukohvat / Metal handle	

Tuš baterija sa izlivom

Bath mixer with shower set and S - spout



Šifra proizvoda Code	Veličina Size	Pakovanje Pack	Težina Weight [kg]
64.12.*2.0.256	1/2"	4	1,603
64.12.*2.0.257	1/2"	4	1,547
64.12.*2.0.258	1/2"	4	1,700

Rukohvata / Handle	* - Virbla / Headwork
256 - Plastični rukohvat / Plastic handle	0 - Virbla / Headwork
257 - Plastični rukohvat / Plastic handle	1 - Keramička virbla / Ceramic headwork
258 - Metalni rukohvat / Metal handle	

Sanitarne armature

Sanitary program

Tuš baterija sa usponskim tušem

Bath mixer with standing shower pipe



Šifra proizvoda Code	Veličina Size	Pakovanje Pack	Težina Weight [kg]
64.12.*3.0.256	1/2"	5	1,005
64.12.*3.0.257	1/2"	5	0,950
64.12.*3.0.258	1/2"	5	1,105

Rukohvata / Handle	* - Virbla / Headwork
256 - Plastični rukohvat / Plastic handle	0 - Virbla / Headwork
257 - Plastični rukohvat / Plastic handle	1 - Keramička virbla / Ceramic headwork
258 - Metalni rukohvat / Metal handle	

Tuš baterija sa usponskim tušem i izlivom

Bath mixer with standing shower pipe and spout



Šifra proizvoda Code	Veličina Size	Pakovanje Pack	Težina Weight [kg]
64.12.*4.0.256	1/2"	4	1,228
64.12.*4.0.257	1/2"	4	1,173
64.12.*4.0.258	1/2"	4	1,328

Rukohvata / Handle	* - Virbla / Headwork
256 - Plastični rukohvat / Plastic handle	0 - Virbla / Headwork
257 - Plastični rukohvat / Plastic handle	1 - Keramička virbla / Ceramic headwork
258 - Metalni rukohvat / Metal handle	

Baterija za toplu i hladnu vodu S-120 Ø18

Bath mixer with spout S-120 Ø18



Šifra proizvoda Code	Veličina Size	Pakovanje Pack	Težina Weight [kg]
63.18.*1.3.256	1/2"	5	0,923
63.18.*1.3.257	1/2"	5	0,867
63.18.*1.3.258	1/2"	5	1,021

Rukohvata / Handle	* - Virbla / Headwork
256 - Plastični rukohvat / Plastic handle	0 - Virbla / Headwork
257 - Plastični rukohvat / Plastic handle	1 - Keramička virbla / Ceramic headwork
258 - Metalni rukohvat / Metal handle	

Sanitarne armature

Sanitary program

Baterija za toplu i hladnu vodu S-200 Ø18

Bath mixer with spout S-200 Ø18



Šifra proizvoda Code	Veličina Size	Pakovanje Pack	Težina Weight [kg]
63.18.*1.0.256	1/2"	5	0,962
63.18.*1.0.257	1/2"	5	0,906
63.18.*1.0.258	1/2"	5	1,060

Rukohvata / Handle	* - Virbla / Headwork
256 - Plastični rukohvat / Plastic handle	0 - Virbla / Headwork
257 - Plastični rukohvat / Plastic handle	1 - Keramička virbla / Ceramic headwork
258 - Metalni rukohvat / Metal handle	

Baterija za toplu i hladnu vodu S-300 Ø18

Bath mixer with spout S-300 Ø18



Šifra proizvoda Code	Veličina Size	Pakovanje Pack	Težina Weight [kg]
63.18.*1.4.256	1/2"	5	0,973
63.18.*1.4.257	1/2"	5	0,917
63.18.*1.4.258	1/2"	5	1,071

Rukohvata / Handle	* - Virbla / Headwork
256 - Plastični rukohvat / Plastic handle	0 - Virbla / Headwork
257 - Plastični rukohvat / Plastic handle	1 - Keramička virbla / Ceramic headwork
258 - Metalni rukohvat / Metal handle	

Baterija za toplu i hladnu vodu P-120 Ø18

Bath mixer with spout P-120 Ø18



Šifra proizvoda Code	Veličina Size	Pakovanje Pack	Težina Weight [kg]
63.18.*1.2.256	1/2"	5	0,923
63.18.*1.2.257	1/2"	5	0,867
63.18.*1.2.258	1/2"	5	1,021

Rukohvata / Handle	* - Virbla / Headwork
256 - Plastični rukohvat / Plastic handle	0 - Virbla / Headwork
257 - Plastični rukohvat / Plastic handle	1 - Keramička virbla / Ceramic headwork
258 - Metalni rukohvat / Metal handle	

Sanitarne armature

Sanitary program

Baterija za toplu i hladnu vodu P-200 Ø18

Bath mixer with spout P-200 Ø18



Šifra proizvoda Code	Veličina Size	Pakovanje Pack	Težina Weight [kg]
63.18.*1.1.256	1/2"	5	0,962
63.18.*1.1.257	1/2"	5	0,906
63.18.*1.1.258	1/2"	5	1,060

Rukohvata / Handle	* - Virbla / Headwork
256 - Plastični rukohvat / Plastic handle	0 - Virbla / Headwork
257 - Plastični rukohvat / Plastic handle	1 - Keramička virbla / Ceramic headwork
258 - Metalni rukohvat / Metal handle	

Baterija za toplu i hladnu vodu J-130 Ø18

Bath mixer with spout J-130 Ø18



Šifra proizvoda Code	Veličina Size	Pakovanje Pack	Težina Weight [kg]
63.18.*1.5.256	1/2"	5	0,920
63.18.*1.5.257	1/2"	5	0,864
63.18.*1.5.258	1/2"	5	1,018

Rukohvata / Handle	* - Virbla / Headwork
256 - Plastični rukohvat / Plastic handle	0 - Virbla / Headwork
257 - Plastični rukohvat / Plastic handle	1 - Keramička virbla / Ceramic headwork
258 - Metalni rukohvat / Metal handle	

Baterija za toplu i hladnu vodu J-200 Ø18

Bath mixer with spout J-200 Ø18



Šifra proizvoda Code	Veličina Size	Pakovanje Pack	Težina Weight [kg]
63.18.*1.6.256	1/2"	5	0,954
63.18.*1.6.257	1/2"	5	0,898
63.18.*1.6.258	1/2"	5	1,052

Rukohvata / Handle	* - Virbla / Headwork
256 - Plastični rukohvat / Plastic handle	0 - Virbla / Headwork
257 - Plastični rukohvat / Plastic handle	1 - Keramička virbla / Ceramic headwork
258 - Metalni rukohvat / Metal handle	

Sanitarne armature

Sanitary program

Stojeća baterija za toplu i hladnu vodu J-130 Ø18

Basin mixer with spout J-130 Ø18



Šifra proizvoda Code	Veličina Size	Pakovanje Pack	Težina Weight [kg]
63.18.*1.7.256	1/2"	5	0,837
63.18.*1.7.257	1/2"	5	0,781
63.18.*1.7.258	1/2"	5	0,935

Rukohvata / Handle	* - Virbla / Headwork
256 - Plastični rukohvat / Plastic handle	0 - Virbla / Headwork
257 - Plastični rukohvat / Plastic handle	1 - Keramička virbla / Ceramic headwork
258 - Metalni rukohvat / Metal handle	

Stojeća baterija za toplu i hladnu vodu J-200 Ø18

Basin mixer with spout J-200 Ø18



Šifra proizvoda Code	Veličina Size	Pakovanje Pack	Težina Weight [kg]
63.18.*1.8.256	1/2"	5	0,848
63.18.*1.8.257	1/2"	5	0,792
63.18.*1.8.258	1/2"	5	0,946

Rukohvata / Handle	* - Virbla / Headwork
256 - Plastični rukohvat / Plastic handle	0 - Virbla / Headwork
257 - Plastični rukohvat / Plastic handle	1 - Keramička virbla / Ceramic headwork
258 - Metalni rukohvat / Metal handle	

Baterija za toplu i hladnu vodu J-300 Ø18

Basin mixer with spout J-300 Ø18



Šifra proizvoda Code	Veličina Size	Pakovanje Pack	Težina Weight [kg]
63.18.*1.9.256	1/2"	5	0,903
63.18.*1.9.257	1/2"	5	0,847
63.18.*1.9.258	1/2"	5	1,002

Rukohvata / Handle	* - Virbla / Headwork
256 - Plastični rukohvat / Plastic handle	0 - Virbla / Headwork
257 - Plastični rukohvat / Plastic handle	1 - Keramička virbla / Ceramic headwork
258 - Metalni rukohvat / Metal handle	

Sanitarne armature

Sanitary program

Ugaona slavina S-70 Ø13

Angle tap with spout S-70 Ø13



Šifra proizvoda Code	Veličina Size	Pakovanje Pack	Težina Weight [kg]
55.12.*1.2.256	1/2"	15	0,354
55.12.*1.2.257	1/2"	15	0,326
55.12.*1.2.258	1/2"	15	0,403

Rukohvata / Handle	* - Virbla / Headwork
 256 - Plastični rukohvat / Plastic handle	 0 - Virbla / Headwork
 257 - Plastični rukohvat / Plastic handle	 1 - Keramička virbla / Ceramic headwork
 258 - Metalni rukohvat / Metal handle	

Ugaona slavina S-180 Ø13

Angle tap with spout S-180 Ø13



Šifra proizvoda Code	Veličina Size	Pakovanje Pack	Težina Weight [kg]
55.12.*1.1.256	1/2"	10	0,381
55.12.*1.1.257	1/2"	10	0,353
55.12.*1.1.258	1/2"	10	0,430

Rukohvata / Handle	* - Virbla / Headwork
 256 - Plastični rukohvat / Plastic handle	 0 - Virbla / Headwork
 257 - Plastični rukohvat / Plastic handle	 1 - Keramička virbla / Ceramic headwork
 258 - Metalni rukohvat / Metal handle	

Ugaona slavina S-200 Ø18

Angle tap with spout S-200 Ø18



Šifra proizvoda Code	Veličina Size	Pakovanje Pack	Težina Weight [kg]
55.12.*1.6.256	1/2"	10	0,414
55.12.*1.6.257	1/2"	10	0,386
55.12.*1.6.258	1/2"	10	0,463

Rukohvata / Handle	* - Virbla / Headwork
 256 - Plastični rukohvat / Plastic handle	 0 - Virbla / Headwork
 257 - Plastični rukohvat / Plastic handle	 1 - Keramička virbla / Ceramic headwork
 258 - Metalni rukohvat / Metal handle	

Sanitarne armature

Sanitary program

Ugaona slavina P-120 Ø18

Angle tap with spout P-120 Ø18



Šifra proizvoda Code	Veličina Size	Pakovanje Pack	Težina Weight [kg]
55.12.*1.4.256	1/2"	10	0,393
55.12.*1.4.257	1/2"	10	0,365
55.12.*1.4.258	1/2"	10	0,442

Rukohvata / Handle	* - Virbla / Headwork
256 - Plastični rukohvat / Plastic handle	0 - Virbla / Headwork
257 - Plastični rukohvat / Plastic handle	1 - Keramička virbla / Ceramic headwork
258 - Metalni rukohvat / Metal handle	

Ugaona slavina P-200 Ø18

Angle tap with spout P-200 Ø18



Šifra proizvoda Code	Veličina Size	Pakovanje Pack	Težina Weight [kg]
55.12.*1.5.256	1/2"	10	0,414
55.12.*1.5.257	1/2"	10	0,386
55.12.*1.5.258	1/2"	10	0,463

Rukohvata / Handle	* - Virbla / Headwork
256 - Plastični rukohvat / Plastic handle	0 - Virbla / Headwork
257 - Plastični rukohvat / Plastic handle	1 - Keramička virbla / Ceramic headwork
258 - Metalni rukohvat / Metal handle	

Priključak za veš mašinu

Washing machine bibcock



Šifra proizvoda Code	Veličina Size	Pakovanje Pack	Težina Weight [kg]
55.34.*2.4.256	3/4"	25	0,274
55.34.*2.4.257	3/4"	25	0,246
55.34.*2.4.258	3/4"	25	0,323

Rukohvata / Handle	* - Virbla / Headwork
256 - Plastični rukohvat / Plastic handle	0 - Virbla / Headwork
257 - Plastični rukohvat / Plastic handle	1 - Keramička virbla / Ceramic headwork
258 - Metalni rukohvat / Metal handle	

Sanitarne armature

Sanitary program

Stojeća slavina J-130 Ø18

Basin tap with spout J-130 Ø18



Šifra proizvoda Code	Veličina Size	Pakovanje Pack	Težina Weight [kg]
55.12.*6.6.256	1/2"	10	0,403
55.12.*6.6.257	1/2"	10	0,375
55.12.*6.6.258	1/2"	10	0,452

Rukohvata / Handle	* - Virbla / Headwork
256 - Plastični rukohvat / Plastic handle	0 - Virbla / Headwork
257 - Plastični rukohvat / Plastic handle	1 - Keramička virbla / Ceramic headwork
258 - Metalni rukohvat / Metal handle	

Ugaona slavina sa priključkom S-160 Ø16

Washing machine bibcock with spout S-160 Ø16



Šifra proizvoda Code	Veličina Size	Pakovanje Pack	Težina Weight [kg]
55.12.34.5.217	1/2"	10	0,390
55.12.34.5.218	1/2"	10	0,364
55.12.34.5.219	1/2"	10	0,458

Rukohvata / Handle	Virbla / Headwork
217 - Plastični rukohvat / Plastic handle	Virbla / Headwork
218 - Plastični rukohvat / Plastic handle	
219 - Metalni rukohvat / Metal handle	

Baterija za bojler niskog pritiska S-200 Ø13

Mixer for low pressure water heater with spout S-200 Ø13



Šifra proizvoda Code	Veličina Size	Pakovanje Pack	Težina Weight [kg]
54.12.01.0.217	1/2"	10	0,583
54.12.01.0.218	1/2"	10	0,557
54.12.01.0.219	1/2"	10	0,651

Rukohvata / Handle	Virbla / Headwork
217 - Plastični rukohvat / Plastic handle	Virbla / Headwork
218 - Plastični rukohvat / Plastic handle	
219 - Metalni rukohvat / Metal handle	

Sanitarne armature

Sanitary program

Baterija za bojler niskog pritiska J-130 Ø18

Sink mixer for low pressure water heater with spout J-130 Ø18



Šifra proizvoda Code	Veličina Size	Pakovanje Pack	Težina Weight [kg]
54.12.01.1.217	1/2"	10	0,824
54.12.01.1.218	1/2"	10	0,790
54.12.01.1.219	1/2"	10	0,892

Rukohvata / Handle	Virbla / Headwork
217 - Plastični rukohvat / Plastic handle	Virbla / Headwork
218 - Plastični rukohvat / Plastic handle	
219 - Metalni rukohvat / Metal handle	

Baterija za bojler niskog pritiska J-200 Ø18

Sink mixer for low pressure water heater with spout J-200 Ø18



Šifra proizvoda Code	Veličina Size	Pakovanje Pack	Težina Weight [kg]
54.12.01.2.217	1/2"	10	0,835
54.12.01.2.218	1/2"	10	0,801
54.12.01.2.219	1/2"	10	0,903

Rukohvata / Handle	Virbla / Headwork
217 - Plastični rukohvat / Plastic handle	Virbla / Headwork
218 - Plastični rukohvat / Plastic handle	
219 - Metalni rukohvat / Metal handle	

Baterija za bojler niskog pritiska J-300 Ø18

Sink mixer for low pressure water heater with spout J-300 Ø18



Šifra proizvoda Code	Veličina Size	Pakovanje Pack	Težina Weight [kg]
54.12.01.3.217	1/2"	10	0,890
54.12.01.3.218	1/2"	10	0,856
54.12.01.3.219	1/2"	10	0,959

Rukohvata / Handle	Virbla / Headwork
217 - Plastični rukohvat / Plastic handle	Virbla / Headwork
218 - Plastični rukohvat / Plastic handle	
219 - Metalni rukohvat / Metal handle	

Sanitarne armature

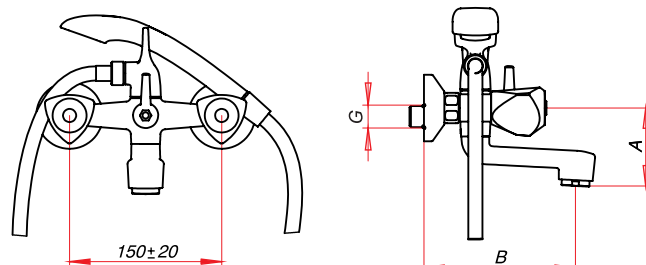
Sanitary program

Dimenzije / Dimensions

Tuš baterija

Bath mixer with flexible hose and shower

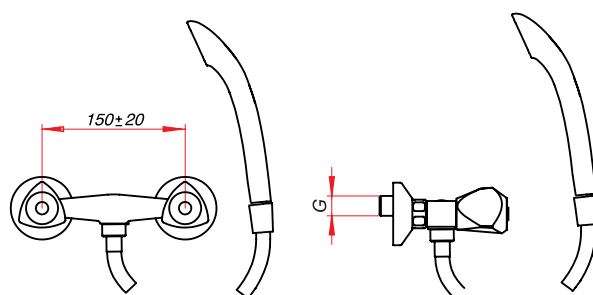
Šifra Code	Veličina Size	G ["]	A [mm]	B [mm]
64.12.*0.0.256	1/2"	1/2"	77	150
64.12.*0.0.257	1/2"	1/2"	77	150
64.12.*0.0.258	1/2"	1/2"	77	150



Tuš baterija sa ručnim tušem

Bath mixer with shower set

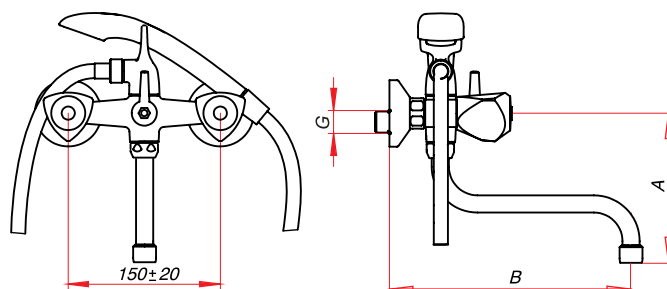
Šifra Code	Veličina Size	G ["]
64.12.*1.0.256	1/2"	1/2"
64.12.*1.0.257	1/2"	1/2"
64.12.*1.0.258	1/2"	1/2"



Tuš baterija sa izlivom

Bath mixer with shower set and S-spout

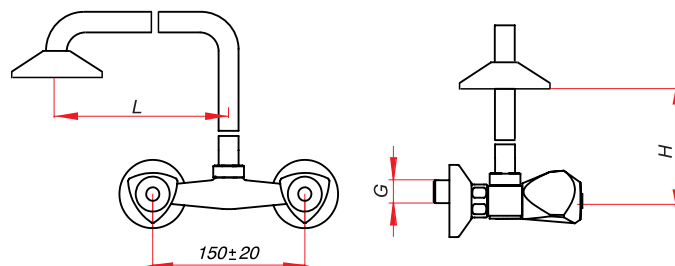
Šifra Code	Veličina Size	G ["]	A [mm]	B [mm]
64.12.*2.0.256	1/2"	1/2"	140	350
64.12.*2.0.257	1/2"	1/2"	140	350
64.12.*2.0.258	1/2"	1/2"	140	350



Tuš baterija sa usponskim tušem

Bath mixer with standing shower pipe

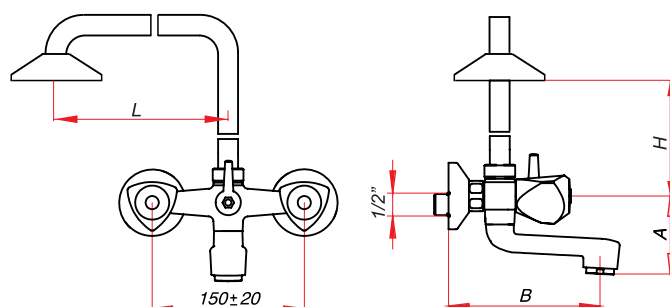
Šifra Code	Veličina Size	G ["]	L [mm]	H [mm]
64.12.*3.0.256	1/2"	1/2"	320	1125
64.12.*3.0.257	1/2"	1/2"	320	1125
64.12.*3.0.258	1/2"	1/2"	320	1125



Tuš baterija sa usponskim tušem i izlivom

Bath mixer with standing shower pipe and spout

Šifra Code	Veličina Size	A [mm]	B [mm]	L [mm]	H [mm]
64.12.*4.0.256	1/2"	77	150	320	1125
64.12.*4.0.257	1/2"	77	150	320	1125
64.12.*4.0.258	1/2"	77	150	320	1125

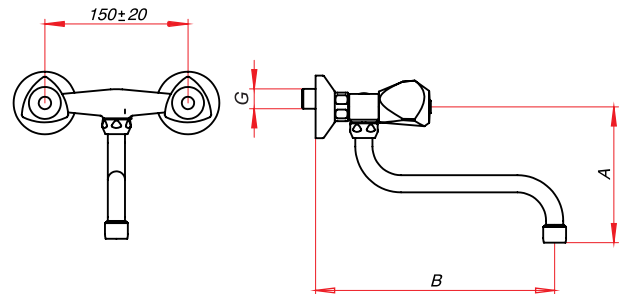


Sanitarne armature

Sanitary program

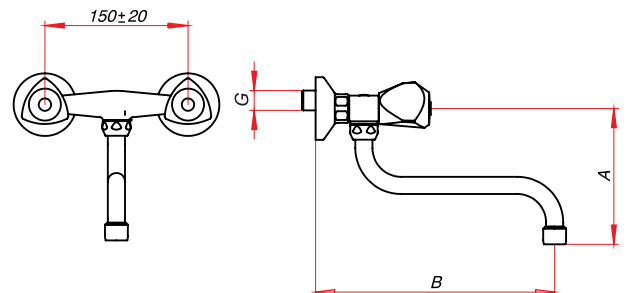
Baterija za toplu i hladnu vodu S-120 Ø18 Bath mixer with spout S-120 Ø18

Šifra Code	Veličina Size	G ["]	A [mm]	B [mm]
63.18.*1.3.256	1/2"	1/2"	140	170
63.18.*1.3.257	1/2"	1/2"	140	170
63.18.*1.3.258	1/2"	1/2"	140	170



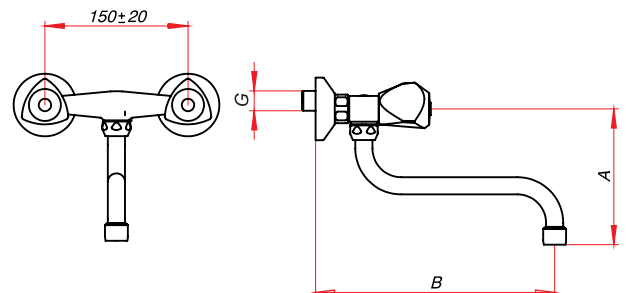
Baterija za toplu i hladnu vodu S-200 Ø18 Bath mixer with spout S-200 Ø18

Šifra Code	Veličina Size	G ["]	A [mm]	B [mm]
63.18.*1.0.256	1/2"	1/2"	140	250
63.18.*1.0.257	1/2"	1/2"	140	250
63.18.*1.0.258	1/2"	1/2"	140	250



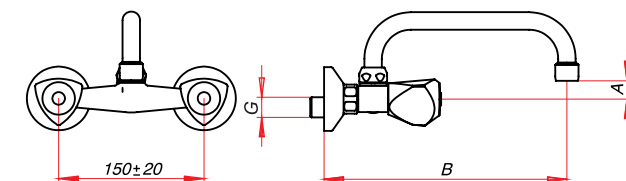
Baterija za toplu i hladnu vodu S-300 Ø18 Bath mixer with spout S-300 Ø18

Šifra Code	Veličina Size	G ["]	A [mm]	B [mm]
63.18.*1.4.256	1/2"	1/2"	140	350
63.18.*1.4.257	1/2"	1/2"	140	350
63.18.*1.4.258	1/2"	1/2"	140	350



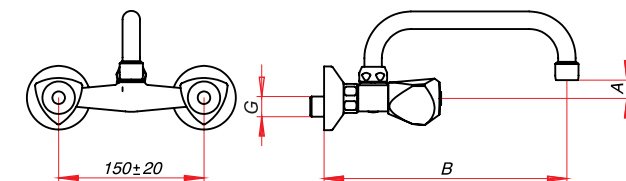
Baterija za toplu i hladnu vodu P-120 Ø18 Bath mixer with spout P-120 Ø18

Šifra Code	Veličina Size	G ["]	A [mm]	B [mm]
63.18.*1.2.256	1/2"	1/2"	20	170
63.18.*1.2.257	1/2"	1/2"	20	170
63.18.*1.2.258	1/2"	1/2"	20	170



Baterija za toplu i hladnu vodu P-200 Ø18 Bath mixer with spout P-200 Ø18

Šifra Code	Veličina Size	G ["]	A [mm]	B [mm]
63.18.*1.1.256	1/2"	1/2"	20	250
63.18.*1.1.257	1/2"	1/2"	20	250
63.18.*1.1.258	1/2"	1/2"	20	250



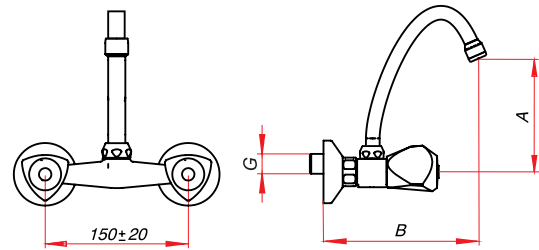
Sanitarne armature

Sanitary program

Baterija za toplu i hladnu vodu J-130 Ø18

Bath mixer with spout J-130 Ø18

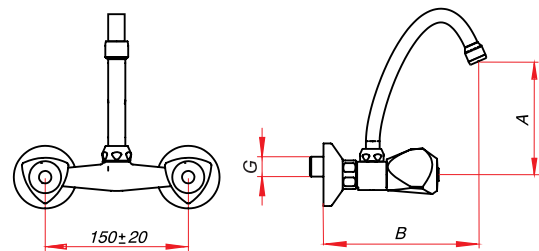
Šifra Code	Veličina Size	G ["]	A [mm]	B [mm]
63.18.*1.5.256	1/2"	1/2"	150	190
63.18.*1.5.257	1/2"	1/2"	150	190
63.18.*1.5.258	1/2"	1/2"	150	190



Baterija za toplu i hladnu vodu J-200 Ø18

Bath mixer with spout J-200 Ø18

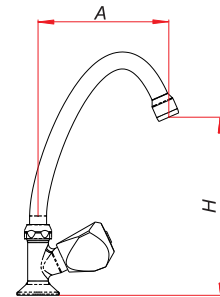
Šifra Code	Veličina Size	G ["]	A [mm]	B [mm]
63.18.*1.6.256	1/2"	1/2"	150	190
63.18.*1.6.257	1/2"	1/2"	150	190
63.18.*1.6.258	1/2"	1/2"	150	190



Stojeća baterija za toplu i hladnu vodu J-130 Ø18

Basin mixer with spout J-130 Ø18

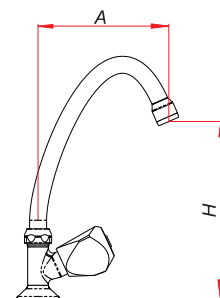
Šifra Code	A [mm]	H [mm]
63.18.*1.7.256	130	180
63.18.*1.7.257	130	180
63.18.*1.7.258	130	180



Stojeća baterija za toplu i hladnu vodu J-200 Ø18

Basin mixer with spout J-200 Ø18

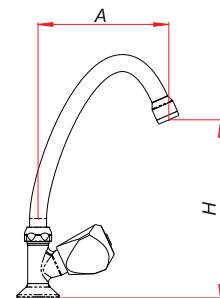
Šifra Code	A [mm]	H [mm]
63.18.*1.8.256	200	190
63.18.*1.8.257	200	190
63.18.*1.8.258	200	190



Stojeća baterija za toplu i hladnu vodu J-300 Ø18

Basin mixer with spout J-300 Ø18

Šifra Code	A [mm]	H [mm]
63.18.*1.9.256	300	230
63.18.*1.9.257	300	230
63.18.*1.9.258	300	230



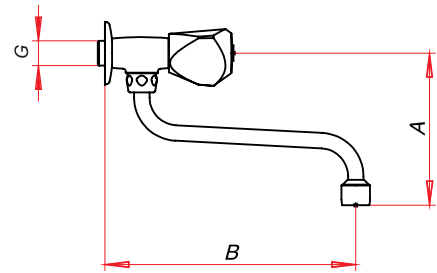
Sanitarne armature

Sanitary program

Ugaona slavina S-70 Ø13

Angle tap with spout S-70 Ø13

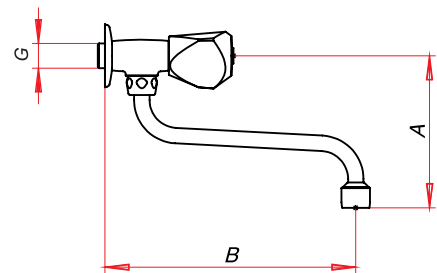
Šifra Code	Veličina Size	G ["]	A [mm]	B [mm]
55.12.*1.2.256	1/2"	1/2"	140	100
55.12.*1.2.257	1/2"	1/2"	140	100
55.12.*1.2.258	1/2"	1/2"	140	100



Ugaona slavina S-180 Ø13

Angle tap with spout S-180 Ø13

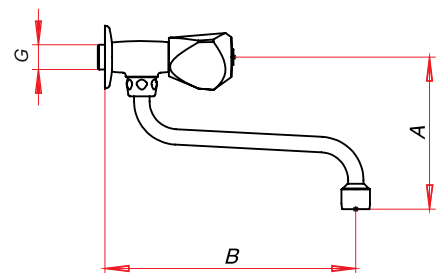
Šifra Code	Veličina Size	G ["]	A [mm]	B [mm]
55.12.*1.1.256	1/2"	1/2"	140	215
55.12.*1.1.257	1/2"	1/2"	140	215
55.12.*1.1.258	1/2"	1/2"	140	215



Ugaona slavina S-200 Ø18

Angle tap with spout S-200 Ø18

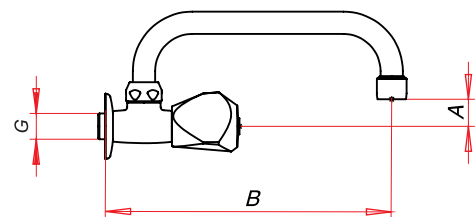
Šifra Code	Veličina Size	G ["]	A [mm]	B [mm]
55.12.*1.6.256	1/2"	1/2"	140	250
55.12.*1.6.257	1/2"	1/2"	140	250
55.12.*1.6.258	1/2"	1/2"	140	250



Ugaona slavina P-120 Ø18

Angle tap with spout P-120 Ø18

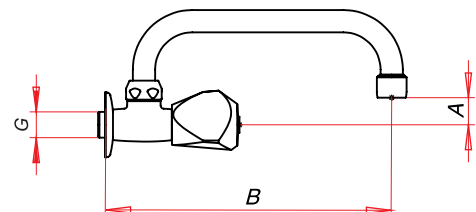
Šifra Code	Veličina Size	G ["]	A [mm]	B [mm]
55.12.*1.4.256	1/2"	1/2"	10	170
55.12.*1.4.257	1/2"	1/2"	10	170
55.12.*1.4.258	1/2"	1/2"	10	170



Ugaona slavina P-200 Ø18

Angle tap with spout P-200 Ø18

Šifra Code	Veličina Size	G ["]	A [mm]	B [mm]
55.12.*1.5.256	1/2"	1/2"	10	250
55.12.*1.5.257	1/2"	1/2"	10	250
55.12.*1.5.258	1/2"	1/2"	10	250



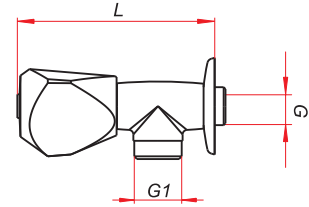
Sanitarne armature

Sanitary program

Priključak za veš mašinu

Washing machine bibcock

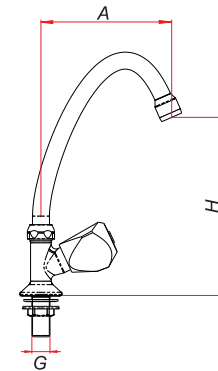
Šifra Code	Veličina Size	G ["]	G1 ["]	L [mm]
55.34.*2.4.256	1/2"	1/2"	3/4"	105
55.34.*2.4.257	1/2"	1/2"	3/4"	105
55.34.*2.4.258	1/2"	1/2"	3/4"	105



Stojeća slavina J-130 Ø18

Basin tap with spout J-130 Ø18

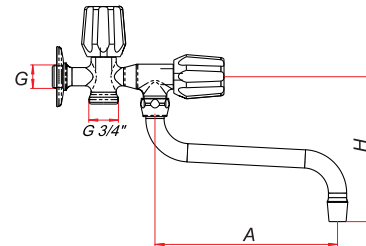
Šifra Code	Veličina Size	G ["]	A [mm]	H [mm]
55.12.*6.6.256	1/2"	1/2"	140	190
55.12.*6.6.257	1/2"	1/2"	140	190
55.12.*6.6.258	1/2"	1/2"	140	190



Ugaona slavina sa priključkom S-160 Ø16

Washing machine bibcock with spout S-160 Ø16

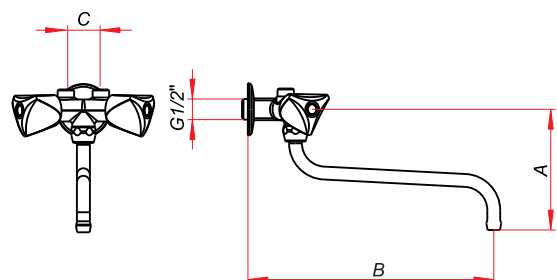
Šifra Code	Veličina Size	G ["]	A [mm]	H [mm]
55.12.34.5.217	1/2"	1/2"	160	127
55.12.34.5.218	1/2"	1/2"	160	127
55.12.34.5.219	1/2"	1/2"	160	127



Baterija za bojler niskog pritiska S-200 Ø13

Mixer for low pressure water heater with spout S-200 Ø13

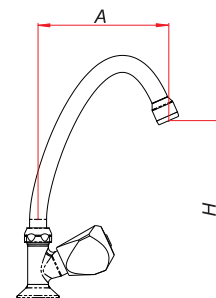
Šifra Code	Veličina Size	A [mm]	B [mm]	C [mm]
54.12.01.0.217	1/2"	120	250	35
54.12.01.0.218	1/2"	120	250	35
54.12.01.0.219	1/2"	120	250	35



Baterija za bojler niskog pritiska J-130 Ø18

Sink mixer for low pressure water heater with spout J-130 Ø18

Šifra Code	A [mm]	H [mm]
54.12.01.1.217	130	180
54.12.01.1.218	130	180
54.12.01.1.219	130	180



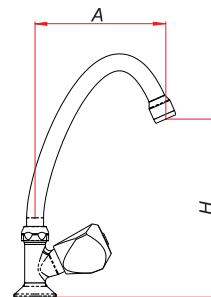
Sanitarne armature

Sanitary program

Baterija za bojler niskog pritiska J-200 Ø18

Sink mixer for low pressure water heater with spout J-200 Ø18

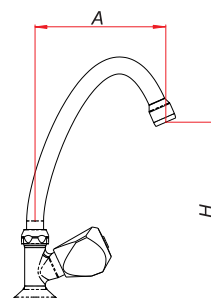
Šifra Code	A [mm]	H [mm]
54.12.01.2.217	200	190
54.12.01.2.218	200	190
54.12.01.2.219	200	190



Baterija za bojler niskog pritiska J-300 Ø18

Sink mixer for low pressure water heater with spout J-300 Ø18

Šifra Code	A [mm]	H [mm]
54.12.01.3.217	300	230
54.12.01.3.218	300	230
54.12.01.3.219	300	230



Ventil sigurnosti

Safety valve



Sigurnosni ventil tip A i A1

Safety valve type A and A1



Šifra proizvoda Code	Veličina Size	Tip Type	Uređaj Device	Pakovanje Pack	Težina [kg] Weight
25.12.01.0.000.Ni	1/2"	A	"0"	100	0,158
25.12.01.0.000.Cr	1/2"	A	"0"	100	0,158
25.12.01.1.000.Ni	1/2"	A1	"1"	100	0,152
25.12.01.1.000.Cr	1/2"	A1	"1"	100	0,152

Površinska zaštita / Surface treatment:
Ni - Niklovan / nickel plated
Cr - Hromiran / chrome plated

Sigurnosni ventil tip B i B1

Safety valve type B and B1



Šifra proizvoda Code	Veličina Size	Tip Type	Uređaj Device	Pakovanje Pack	Težina [kg] Weight
25.12.02.0.000.Ni	1/2"	B	"0"	100	0,138
25.12.02.0.000.Cr	1/2"	B	"0"	100	0,138
25.12.02.1.000.Ni	1/2"	B1	"1"	100	0,132
25.12.02.1.000.Cr	1/2"	B1	"1"	100	0,132
25.34.04.0.000.Ni	3/4"	B	"0"	75	0,187
25.34.04.0.000.Cr	3/4"	B	"0"	75	0,187
25.34.04.1.000.Ni	3/4"	B1	"1"	75	0,181
25.34.04.1.000.Cr	3/4"	B1	"1"	75	0,181

Površinska zaštita / Surface treatment:
Ni - Niklovan / nickel plated
Cr - Hromiran / chrome plated

Sigurnosni ventil tip C i C1

Safety valve type C and C1



Šifra proizvoda Code	Veličina Size	Tip Type	Uređaj Device	Pakovanje Pack	Težina [kg] Weight
25.12.03.0.000.Ni	1/2"	C	"0"	100	0,097
25.12.03.0.000.Cr	1/2"	C	"0"	100	0,097
25.12.03.1.000.Ni	1/2"	C1	"1"	100	0,091
25.12.03.1.000.Cr	1/2"	C1	"1"	100	0,091

Površinska zaštita / Surface treatment:
Ni - Niklovan / nickel plated
Cr - Hromiran / chrome plated

Ventil sigurnosti

Safety valve

Sigurnosni ventil tip I i I1

Safety valve type I and I1



Šifra proizvoda Code	Veličina Size	Tip Type	Uređaj Device	Pakovanje Pack	Težina [kg] Weight
25.12.05.0.000.Ni	1/2"	I	"0"	100	0,068
25.12.05.0.000.Cr	1/2"	I	"0"	100	0,068
25.12.05.1.000.Ni	1/2"	I1	"1"	100	0,061
25.12.05.1.000.Cr	1/2"	I1	"1"	100	0,061

Površinska zaštita / Surface treatment:

Ni - Niklovan / nickel plated

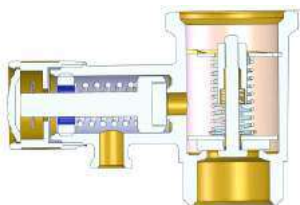
Cr - Hromiran / chrome plated

Namena sigurnosnog ventila je da u kazanima električnih bojlera spreči nastajanje visokog pritiska i na taj način štiti kazan bojlera od oštećenja i uništenja.

The purpose of safety valve is to prevent formation of high pressure and in that way protect boiler from damage and destruction.

Vrsta povratnog uređaja / Type of flow control device

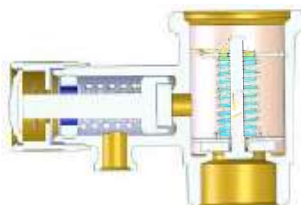
Uređaj "0" Device "0"



Ventil sigurnosti kod koga povratni mehanizam omogućava povratak tople vode iz bojlera u mrežu.

Safety valve which allows the controlled backflow of hot water from water heater to the water network.

Uređaj "1" Device "1"



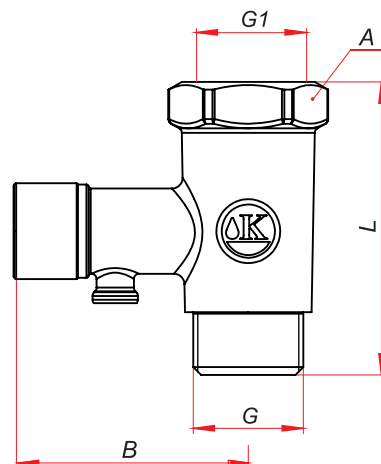
Ventil sigurnosti kod koga povratni mehanizam onemogućava povratak tople vode iz bojlera u mrežu.

Safety valve which stops the backflow of hot water into the water network.

Dimenzije / Dimensions

Sigurnosni ventil Safety valve

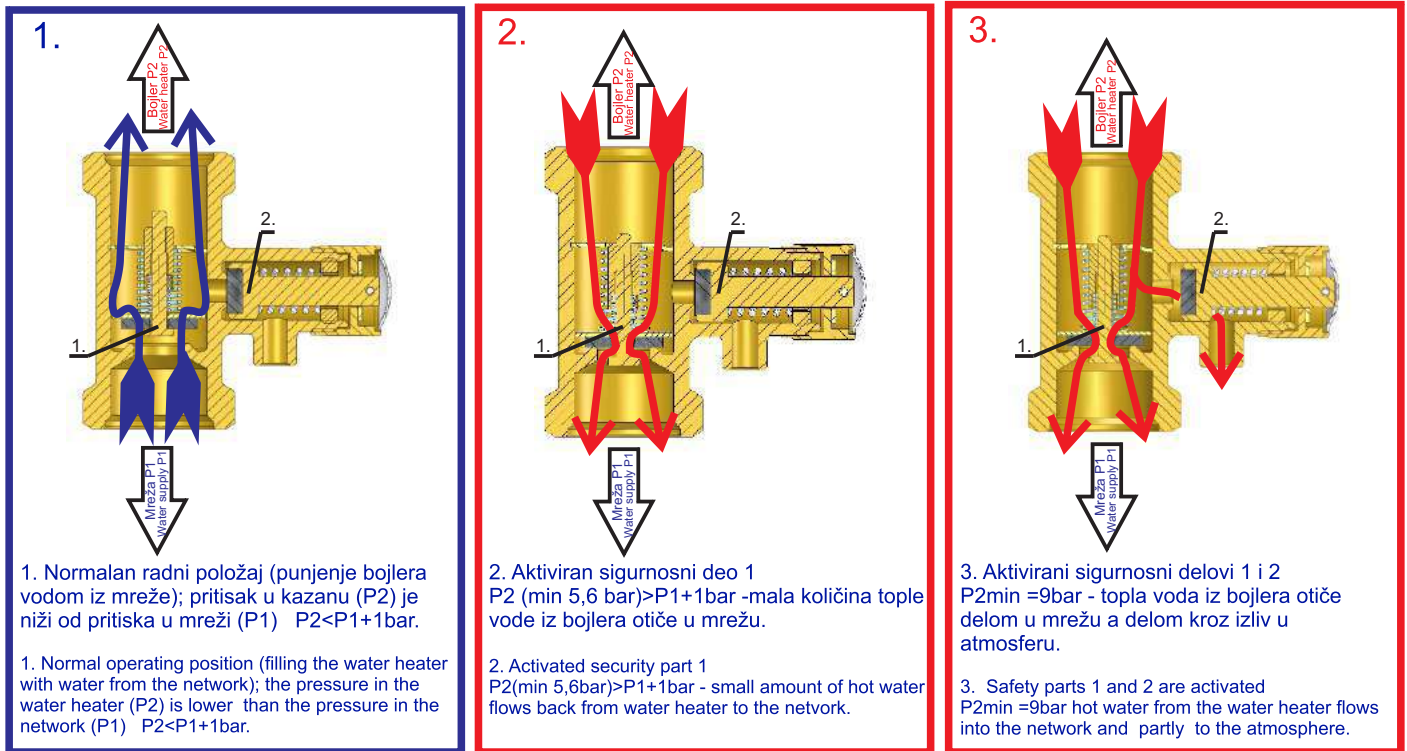
Šifra Code	Veličina Size	G ["]	G1 ["]	L [mm]	A [mm]	B [mm]
25.12.01.0.000.Ni (Cr)	1/2"	1/2"	1/2"	55	OK 27	46
25.12.01.1.000.Ni (Cr)	1/2"	1/2"	1/2"	55	OK 27	46
25.12.02.0.000.Ni (Cr)	1/2"	1/2"	1/2"	55	OK 27	46
25.12.02.1.000.Ni (Cr)	1/2"	1/2"	1/2"	55	OK 27	46
25.34.04.0.000.Ni (Cr)	3/4"	3/4"	3/4"	55	OK 32	50
25.34.04.1.000.Ni (Cr)	3/4"	3/4"	3/4"	55	OK 32	50
25.12.03.0.000.Ni (Cr)	1/2"	1/2"	1/2"	40	OK 25	46
25.12.03.1.000.Ni (Cr)	1/2"	1/2"	1/2"	40	OK 25	46
25.12.05.0.000.Ni (Cr)	1/2"	1/2"	1/2"	40	OK 25	36
25.12.05.1.000.Ni (Cr)	1/2"	1/2"	1/2"	40	OK 25	36



Ventil sigurnosti

Safety valve

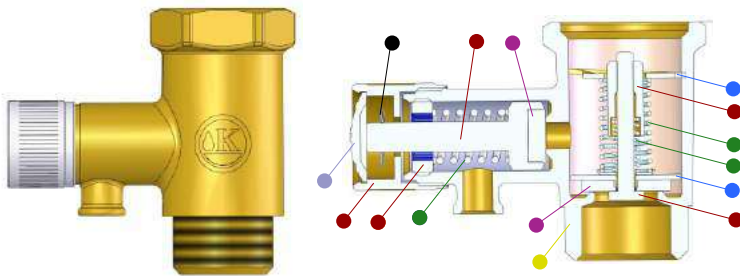
Šematski prikaz rada ventila / Operating diagram of the valve



Tok hladne vode iz mreže.
The flow of cold water from the mains.

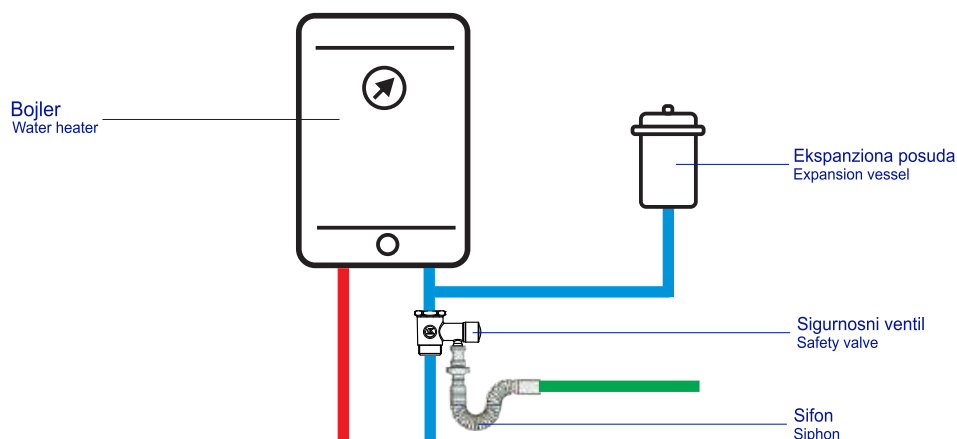
Tok tople vode iz bojlera.
The flow of hot water from the water heater.

Delovi / Parts



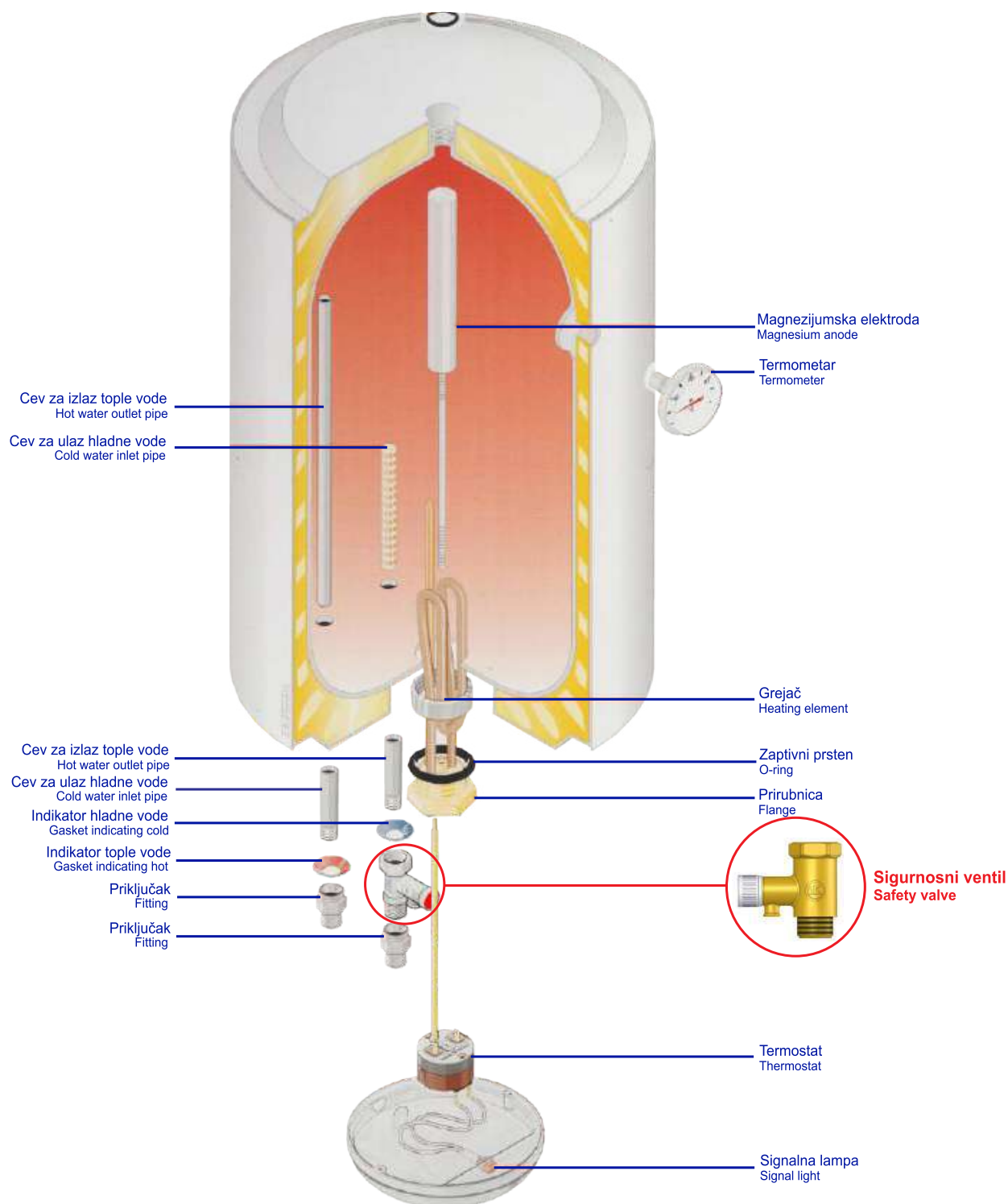
Oznaka Mark	Materijal / Material	
	Tip A, A1, B, B1, C, C1 Type A, A1, B, B1, C, C1	Tip I, I1 Type I, I1
	CW 617N EN12165	CW 617N EN12165
	CW 614N EN12164	ABS
	CuZn37	ABS
	X12CrNi 17 7	X12CrNi 17 7
	Č.1731 (DIN6799)	-
	PE	PE
	Silikon 50 VMQ/570	Silikon 50 VMQ/570
Površinska zaštita Surface treatment	Niklovan / Hromiran Nickel / Chrome plated	Niklovan / Hromiran Nickel / Chrome plated

Instalacija ventila sigurnosti / Mounting at safety valve



Ventil sigurnosti

Safety valve



Virble Headworks



Virbla Headwork



Šifra proizvoda Code	Veličina Size	Pakovanje Pack	Težina Weight [kg]
03.38.01.0.000	3/8"	100	0,056
03.12.02.0.000	1/2"	100	0,071
03.34.02.0.000	3/4"	100	0,090

Virbla sa rukohvatom 3/8"

Headwork with handle 3/8"



Šifra proizvoda Code	Veličina Size	Pakovanje Pack	Težina Weight [kg]
03.38.01.*.217	3/8"	100	0,081
03.38.01.*.218	3/8"	100	0,052
03.38.01.*.219	3/8"	100	0,100

Rukohvata / Handle * - **Boja signala / Color signal**

- 217** - Plastični rukohvat / Plastic handle **1** - Plava / Blue
- 218** - Plastični rukohvat / Plastic handle **2** - Crvena / Red
- 219** - Metalni rukohvat / Metal handle

Virbla sa rukohvatom 1/2"

Headwork with handle 1/2"



Šifra proizvoda Code	Veličina Size	Pakovanje Pack	Težina Weight [kg]
03.12.01.*.256	1/2"	100	0,115
03.12.01.*.257	1/2"	100	0,089
03.12.01.*.258	1/2"	100	0,165

Rukohvata / Handle * - **Boja signala / Color signal**

- 256** - Plastični rukohvat / Plastic handle **1** - Plava / Blue
- 257** - Plastični rukohvat / Plastic handle **2** - Crvena / Red
- 258** - Metalni rukohvat / Metal handle

Virble Headworks

Virbla sa rukohvatom - 069

Headwork with handle - 069



Šifra proizvoda Code	Veličina Size	Pakovanje Pack	Težina Weight [kg]
03.12.01.2.100	1/2"	100	0,089
03.12.01.2.200	1/2"	100	0,095
03.34.03.2.100	3/4"	100	0,110
03.34.03.2.200	3/4"	100	0,116

Rukohvata / Handle



100 - Plastični rukohvat / Plastic handle



200 - Plastični rukohvat / Plastic handle

Virbla M24x1 sa kapom L50

Headwork M24x1 with cap L50



Šifra proizvoda Code	Veličina Size	Pakovanje Pack	Težina Weight [kg]
03.12.14.0.000	1/2"	100	0,097
03.34.15.0.000	3/4"	100	0,117

Kapa / Cap: ABS

Rozetna / Rossete: ABS

Površinska zaštita / Surface treatment: Hromiran / chrome plated

Virbla M24x1 sa kapom L70

Headwork M24x1 with cap L70



Šifra proizvoda Code	Veličina Size	Pakovanje Pack	Težina Weight [kg]
03.12.19.0.000	1/2"	100	0,217
03.34.19.0.000	3/4"	100	0,236

Kapa / Cap: Mesing / Brass

Rozetna / Rossete: Mesing / Brass

Površinska zaštita / Surface treatment: Hromiran / Chrome plated

Virbla keramička 1/2"

Headwork with ceramic disc 1/2"



Šifra proizvoda Code	Veličina Size	Pakovanje Pack	Težina Weight [kg]
03.12.18.0.100	1/2"	100	0,053
03.12.18.0.200	1/2"	100	0,053

Smer / Direction

100 - Desni / Right


200 - Levi / Left

Virble Headworks

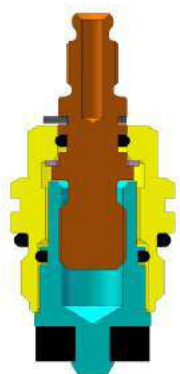
Virbla kolektora 3/8"






Headwork for regulating manifolds with handle 3/8"



Šifra proizvoda Code	Veličina Size	Pakovanje Pack	Težina Weight [kg]
03.38.20.0.BC0	3/8"	100	0,044
B - Rukohvata / Handle		C - Boja signala / Signal color:	
 1 - Plastični rukohvat / Plastic handle	1 - Plava / Blue		
 2 - Plastični rukohvat / Plastic handle	2 - Crvena / Red		
 3 - Plastični rukohvat / Plastic handle			
 4 - Plastični rukohvat / Plastic handle			

Delovi / Parts

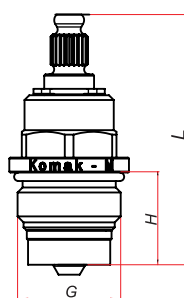


Deo Part	Oznaka Description	Materijal Material
Telo Body		CW 614N EN12164
Vreteno Spindle		CW 614N EN12164
Nosac rondele Bracket		CW 614N EN12164
Zaptivači Seals		NBR
Uskočnik Retaining ring		Stainless steel

Dimenzije / Dimensions

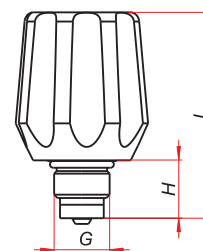
Virbla Headwork

Šifra Code	Veličina Size	G ["]	L [mm]	H [mm]
03.38.01.0.000	3/8"	3/8"	48	17
03.12.02.0.000	1/2"	1/2"	50	19
03.34.02.0.000	3/4"	3/4"	52	21



Virbla sa rukohvatom 3/8" Headwork with handle 3/8"

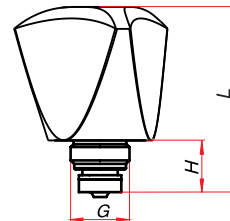
Šifra Code	Veličina Size	G ["]	L [mm]	H [mm]
03.38.01.*_217	3/8"	3/8"	61	17
03.38.01.*_218	3/8"	3/8"	50	17
03.38.01.*_219	3/8"	3/8"	50	17



Virble Headworks

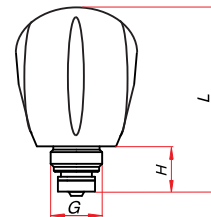
Virbla sa rukohvatom 1/2" Headwork with handle 1/2"

Šifra Code	Veličina Size	G ["]	L [mm]	H [mm]
03.12.01.256	1/2"	1/2"	72	19
03.12.01.257	1/2"	1/2"	53	19
03.12.01.258	1/2"	1/2"	53	19



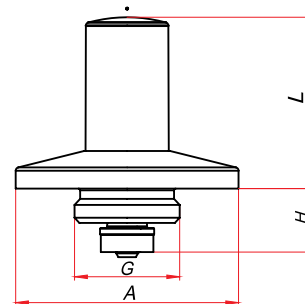
Virbla sa rukohvatom 069 Headwork with handle 069

Šifra Code	Veličina Size	G ["]	L [mm]	H [mm]
03.12.01.2.100	1/2"	1/2"	60	19
03.12.01.2.200	1/2"	1/2"	65	19
03.34.03.2.100	3/4"	3/4"	60	21
03.34.03.2.200	3/4"	3/4"	65	21



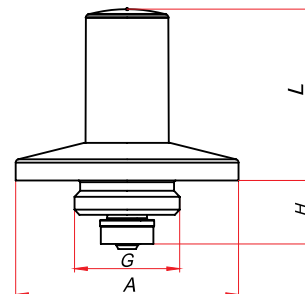
Virbla M24x1 sa kapom L50 Headwork M24X1 with cap L50

Šifra Code	Veličina Size	G ["]	L [mm]	H [mm]	A [mm]
03.12.14.0.000	1/2"	1/2"	50	19	70
03.34.15.0.000	3/4"	3/4"	50	19	70



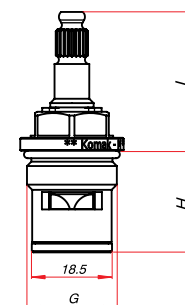
Virbla M24x1 sa kapom L70 Headwork M24x1 with cap L70

Šifra Code	Veličina Size	G ["]	L [mm]	H [mm]	A [mm]
03.12.19.0.000	1/2"	1/2"	70	19	70
03.34.19.0.000	3/4"	3/4"	70	19	70



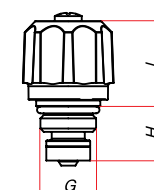
Virbla keramička 1/2" Headwork with ceramic disc 1/2"

Šifra Code	Veličina Size	G ["]	L [mm]	H [mm]
03.12.18.0.100	1/2"	1/2"	32	23,4
03.12.18.0.200	1/2"	1/2"	32	23,4



Virbla kolektora 3/8" Headwork for regulating manifolds with handle 3/8"

Šifra Code	Veličina Size	G ["]	L [mm]	H [mm]
03.38.20.0.1C0	3/8"	3/8"	25	17
03.38.20.0.2C0	3/8"	3/8"	30	17
03.38.20.0.3C0	3/8"	3/8"	25	17
03.38.20.0.4C0	3/8"	3/8"	25	17



Ravno propusni ventili

Straight stop valves



Ravno propusni ventil sa točkom tip A (MT)

Straight stop valve type A (MT)



Šifra proizvoda Code	Veličina Size	Pakovanje Pack	Težina Weight [kg]
10.12.01.4.000	1/2"	50	0,300
10.34.01.4.000	3/4"	50	0,400
10.10.01.4.000	1"	25	0,800
10.54.01.4.000	1 1/4"	10	0,968
10.64.01.4.000	1 1/2"	5	1,500
10.20.01.4.000	2"	5	2,300

Ravno propusni ventil sa točkom tip B (MT)

Straight stop valve type B (MT)



Šifra proizvoda Code	Veličina Size	Pakovanje Pack	Težina Weight [kg]
10.12.08.4.000	1/2"	50	0,216
10.34.08.4.000	3/4"	50	0,322
10.10.08.4.000	1"	25	0,552
10.54.08.4.000	1 1/4"	10	0,779
10.64.08.4.000	1 1/2"	5	1,275
10.20.08.4.000	2"	5	2,072

Ravno propusni ventili

Straight stop valves

Ravno propusni ventil sa ispustom tip A (MT)

Straight stop valve with drain type A (MT)



Šifra proizvoda Code	Veličina Size	Pakovanje Pack	Težina Weight [kg]
10.12.03.4.000	1/2"	50	0,317
10.34.03.4.000	3/4"	50	0,417
10.10.03.4.000	1"	25	0,818
10.54.03.4.000	1 1/4"	10	0,985
10.64.03.4.000	1 1/2"	5	1,518
10.20.03.4.000	2"	5	2,318

Ravno propusni ventil sa ispustom tip B (MT)

Straight stop valve with drain type B (MT)



Šifra proizvoda Code	Veličina Size	Pakovanje Pack	Težina Weight [kg]
10.12.10.4.000	1/2"	50	0,234
10.34.10.4.000	3/4"	50	0,340
10.10.10.4.000	1"	25	0,570
10.54.10.4.000	1 1/4"	10	0,797
10.64.10.4.000	1 1/2"	5	1,295
10.20.10.4.000	2"	5	2,098

Ravno propusni ventil sa točkom tip A (PT)

Straight stop valve type A (PT)



Šifra proizvoda Code	Veličina Size	Pakovanje Pack	Težina Weight [kg]
10.12.01.7.A00	1/2"	50	0,288
10.34.01.7.A00	3/4"	50	0,381

A - Boja točka / Hand wheel color

- 5 - Bela / White
- 6 - Siva / Grey
- 7 - Zelena / Green

Ravno propusni ventil sa točkom tip B (PT)

Straight stop valve type B (PT)



Šifra proizvoda Code	Veličina Size	Pakovanje Pack	Težina Weight [kg]
10.12.08.7.A00	1/2"	50	0,202
10.34.08.7.A00	3/4"	50	0,322

A - Boja točka / Hand wheel color

- 5 - Bela / White
- 6 - Siva / Grey
- 7 - Zelena / Green

Ravno propusni ventili

Straight stop valves

Ravno propusni ventil sa ispustom tip A (PT)

Straight stop valve with drain type A (PT)



Šifra proizvoda Code	Veličina Size	Pakovanje Pack	Težina Weight [kg]
10.12.03.7.A00	1/2"	50	0,305
10.34.03.7.A00	3/4"	50	0,390
A - Boja točka / Hand wheel color 5 - Bela / White 6 - Siva / Grey 7 - Zelena / Green			

Ravno propusni ventil sa ispustom tip B (PT)

Straight stop valve with drain type B (PT)



Šifra proizvoda Code	Veličina Size	Pakovanje Pack	Težina Weight [kg]
10.12.10.7.A00	1/2"	50	0,220
10.34.10.7.A00	3/4"	50	0,345
A - Boja točka / Hand wheel color 5 - Bela / White 6 - Siva / Grey 7 - Zelena / Green			

Ravno propusni ventil sa kapom L50 tip A

Straight stop valve with cap L50 type A



Šifra proizvoda Code	Veličina Size	Pakovanje Pack	Težina Weight [kg]
10.12.04.3.000	1/2"	50	0,295
10.34.04.3.000	3/4"	50	0,381
Kapa / Valves cap: ABS Rozetna / Rossete: ABS			

Ravno propusni ventil sa kapom L50 tip B

Straight stop valve with cap L50 type B



Šifra proizvoda Code	Veličina Size	Pakovanje Pack	Težina Weight [kg]
10.12.11.3.000	1/2"	50	0,210
10.34.11.3.000	3/4"	50	0,320
Kapa / Valves cap: ABS Rozetna / Rossete: ABS			

Ravno propusni ventili

Straight stop valves

Ravno propusni ventil sa kapom tip A

Straight stop valve with cap type A



Šifra proizvoda Code	Veličina Size	Pakovanje Pack	Težina Weight [kg]
10.12.04.2.000	1/2"	50	0,292
10.34.04.2.000	3/4"	50	0,398
Kapa / Valves cap: ABS Rozetna / Rossete: Stainless steel			

Ravno propusni ventil sa kapom tip B

Straight stop valve with cap type B



Šifra proizvoda Code	Veličina Size	Pakovanje Pack	Težina Weight [kg]
10.12.09.2.000	1/2"	50	0,220
10.34.09.2.000	3/4"	50	0,330
Kapa / Valves cap: ABS Rozetna / Rossete: Stainless steel			

Ravno propusni ventil sa kapom tip AP

Straight stop valve with cap type AP



Šifra proizvoda Code	Veličina Size	Pakovanje Pack	Težina Weight [kg]
10.12.05.2.000	1/2"	50	0,304
10.34.05.2.000	3/4"	50	0,392
Kapa / Valves cap: ABS Rozetna / Rossete: Stainless steel			

Ravno propusni ventil sa kapom tip BP

Straight stop valve with cap type BP



Šifra proizvoda Code	Veličina Size	Pakovanje Pack	Težina Weight [kg]
10.12.10.2.000	1/2"	50	0,209
10.34.10.2.000	3/4"	50	0,325
Kapa / Valves cap: ABS Rozetna / Rossete: Stainless steel			

Ravno propusni ventili

Straight stop valves

Ravno propusni ventil PE

Straight stop valve PE



Šifra proizvoda Code	Veličina Size	Pakovanje Pack	Težina Weight [kg]
10.12.20.1.000	1/2"	50	0,238
10.34.25.1.000	3/4"	50	0,396
10.10.32.1.000	1"	25	0,909
10.54.40.1.000	1 1/4"	10	1,152
10.64.50.1.000	1 1/2"	5	1,706
10.20.63.1.000	2"	5	2,291

Ravno propusni ventil sa ispustom PE

Straight stop valve with drain PE



Šifra proizvoda Code	Veličina Size	Pakovanje Pack	Težina Weight [kg]
10.12.20.0.000	1/2"	50	0,246
10.34.25.0.000	3/4"	50	0,406
10.10.32.0.000	1"	25	0,919
10.54.40.0.000	1 1/4"	10	1,162
10.64.50.0.000	1 1/2"	5	1,716
10.20.63.0.000	2"	5	2,301

Ravno propusni ventil PE sa holenderom vodomera

Straight stop valve with water meter connector PE



Šifra proizvoda Code	Veličina Size	Pakovanje Pack	Težina Weight [kg]
10.12.20.3.000	1/2"	50	0,368
10.34.25.3.000	3/4"	50	0,504
10.10.32.3.000	1"	25	1,139
10.54.40.3.000	1 1/4"	10	1,465
10.64.50.3.000	1 1/2"	5	2,206
10.20.63.3.000	2"	5	3,175

Ravno propusni ventil sa ispustom PE i holenderom vodomera

Straight stop valve with drain and water meter connector PE



Šifra proizvoda Code	Veličina Size	Pakovanje Pack	Težina Weight [kg]
10.12.20.2.000	1/2"	50	0,318
10.34.25.2.000	3/4"	50	0,514
10.10.32.4.000	1"	25	1,149
10.54.40.4.000	1 1/4"	10	1,475
10.64.50.4.000	1 1/2"	5	2,216
10.20.63.4.000	2"	5	3,185

Ravno propusni ventili

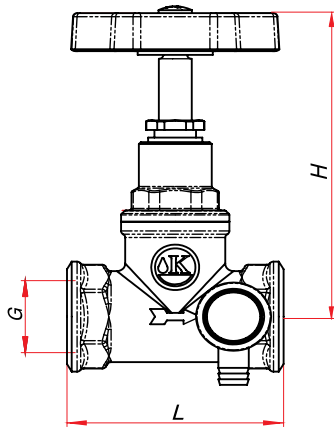
Straight stop valves

Dimenzije / Dimensions

Ravno propusni ventil tip A (MT) Straight stop valve type A (MT)

Šifra Code	Veličina Size	G ["]	H [mm]	L [mm]
10.12.0_4.000	1/2"	1/2"	81	65
10.34.0_4.000	3/4"	3/4"	87	74
10.10.0_4.000	1"	1"	98	92
10.54.0_4.000	1 1/4"	1 1/4"	110	113
10.64.0_4.000	1 1/2"	1 1/2"	120	118
10.20.0_4.000	2"	2"	145	150

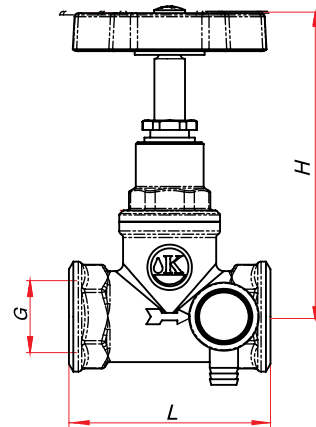
1 - Ravno propusni ventil sa točkom / Straight stop valve
3 - Ravno propusni ventil sa ispustom / Straight stop valve with drain



Ravno propusni ventil tip B (MT) Straight stop valve type B (MT)

Šifra Code	Veličina Size	G ["]	H [mm]	L [mm]
10.12._4.000	1/2"	1/2"	81	52
10.34._4.000	3/4"	3/4"	87	64
10.10._4.000	1"	1"	98	70
10.54._4.000	1 1/4"	1 1/4"	110	90
10.64._4.000	1 1/2"	1 1/2"	120	108
10.20._4.000	2"	2"	145	125

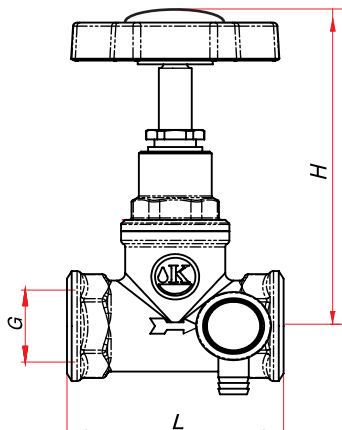
0 8 - Ravno propusni ventil sa točkom / Straight stop valve
1 0 - Ravno propusni ventil sa ispustom / Straight stop valve with drain



Ravno propusni ventil tip A (PT) Straight stop valve type A (PT)

Šifra Code	Veličina Size	G ["]	H [mm]	L [mm]
10.12.0_7.A00	1/2"	1/2"	84	65
10.34.0_7.A00	3/4"	3/4"	90	74

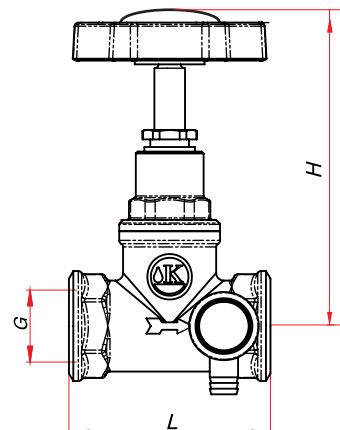
1 - Ravno propusni ventil sa točkom / Straight stop valve
3 - Ravno propusni ventil sa ispustom / Straight stop valve with drain



Ravno propusni ventil tip B (PT) Straight stop valve type B (PT)

Šifra Code	Veličina Size	G ["]	H [mm]	L [mm]
10.12._7.A00	1/2"	1/2"	84	52
10.34._7.A00	3/4"	3/4"	90	64

0 8 - Ravno propusni ventil sa točkom / Straight stop valve
1 0 - Ravno propusni ventil sa ispustom / Straight stop valve with drain

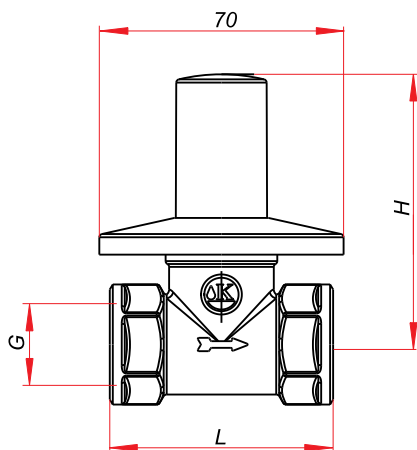


Ravno propusni ventili

Straight stop valves

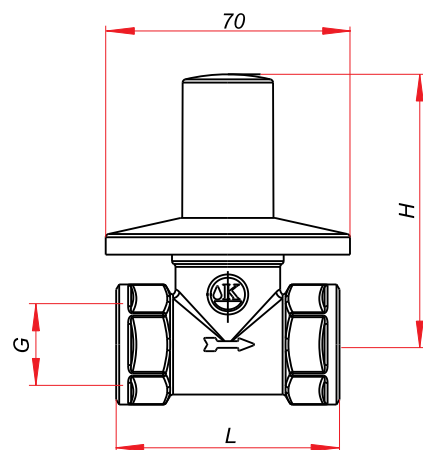
Ravno propusni ventil sa kapom L50 tip A
Straight stop valve with cap L50 type A

Šifra Code	Veličina Size	G ["]	H [mm]	L [mm]
10.12.04.3.000	1/2"	1/2"	78	65
10.34.04.3.000	3/4"	3/4"	83	74



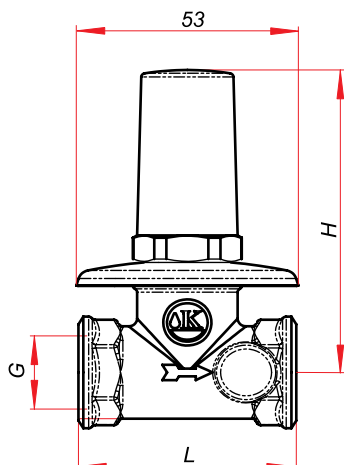
Ravno propusni ventil sa kapom L50 tip B
Straight stop valve with cap L50 type B

Šifra Code	Veličina Size	G ["]	H [mm]	L [mm]
10.12.11.3.000	1/2"	1/2"	78	52
10.34.11.3.000	3/4"	3/4"	83	64



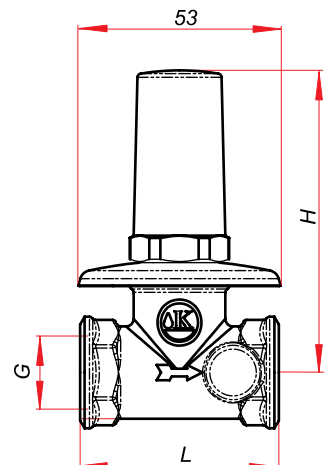
Ravno propusni ventil sa kapom tip A
Straight stop valve with cap type A

Šifra Code	Veličina Size	G ["]	H [mm]	L [mm]
10.12.04.2.000	1/2"	1/2"	78,5	65
10.34.04.2.000	3/4"	3/4"	81	74
10.12.05.2.000	1/2"	1/2"	78,5	65
10.34.05.2.000	3/4"	3/4"	81	74



Ravno propusni ventil sa kapom tip B
Straight stop valve with cap type B

Šifra Code	Veličina Size	G ["]	H [mm]	L [mm]
10.12.09.2.000	1/2"	1/2"	78,5	52
10.34.09.2.000	3/4"	3/4"	81	64
10.12.10.2.000	1/2"	1/2"	78,5	52
10.34.10.2.000	3/4"	3/4"	81	64



Ravno propusni ventili

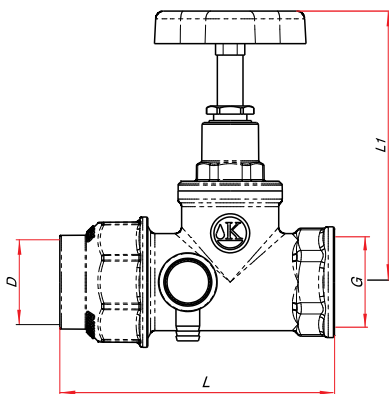
Straight stop valves

Ravno propusni ventil PE

Straight stop valve PE

Šifra Code	Veličina Size	G ["]	ØD [mm]	L [mm]	L1 [mm]
10.12.20._000	1/2"	1/2"	20	71	81
10.34.25._000	3/4"	3/4"	25	85	87
10.10.32._000	1"	1"	32	95	98
10.54.40._000	1 1/4"	1 1/4"	40	119	110
10.64.50._000	1 1/2"	1 1/2"	50	142	120
10.20.63._000	2"	2"	63	160	145

1 - Ravno propusni ventil sa točkom / Straight stop valve
 0 - Ravno propusni ventil sa ispustom / Straight stop valve with drain

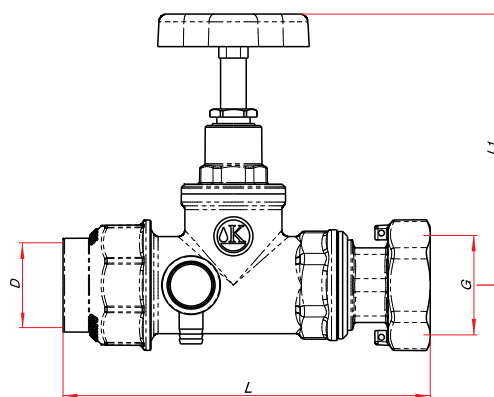


Ravno propusni ventil PE sa holenderom

Straight stop valve with water meter connector PE

Šifra Code	Veličina Size	G ["]	ØD [mm]	L [mm]	L1 [mm]
10.12.20._000	1/2"	3/4"	20	103	81
10.34.25._000	3/4"	1"	25	125	87
10.10.32._000	1"	1 1/4"	32	152	98
10.54.40._000	1 1/4"	1 1/2"	40	169	110
10.64.50._000	1 1/2"	2"	50	202	120
10.20.63._000	2"	2 1/2"	63	225	145

3 - Ravno propusni ventil sa točkom / Straight stop valve
 2 - Ravno propusni ventil sa ispustom / Straight stop valve with drain



Delovi / Parts



Deo Part	Oznaka Mark	Materijal Material
Telo ventila Body	●	CW 617N EN12165
Telo nadgradnje Upgrading	●	CW 617N EN12165
Vretno Spindle	●	CW 614N EN12164
Navrtka Screw nut	●	CW 614N EN12164
Zaptivač Seals	●	NBR
Zavrtanj Fixing screw	●	Pocinkovani čelik Zinc plated steel
Točak Hand wheel	●	Čelik /ABS Steel / ABS

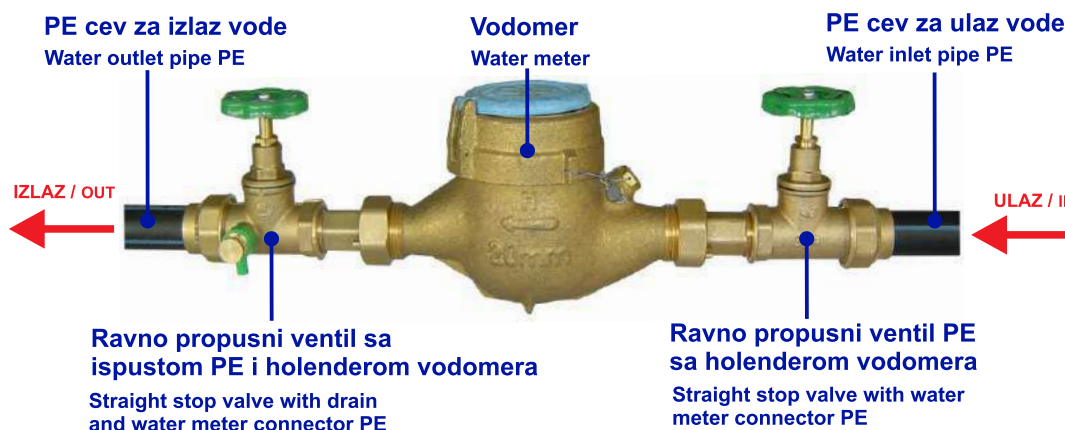
(PT) - Točak plastični / Plastic handwheel



(MT) - Točak metalni/ Metal handwheel



Šema vezivanja ravno propusnih ventila PE / Installation scheme



Nadgradnje Upgradings



Nadgradnja ventila sa točkom (MT)

Upgrading for straight stop valve with metal hand wheel (MT)



Šifra proizvoda Code	Veličina Size	Pakovanje Pack	Težina Weight [kg]
10.12.01.4.000	1/2"	100	0,108
10.34.01.4.000	3/4"	100	0,130
10.10.01.4.000	1"	50	0,192
10.54.01.4.000	1 1/4"	20	0,310
10.64.01.4.000	1 1/2"	10	0,525
10.20.01.4.000	2"	10	0,660

 - Točak metalni zeleni/ Metal hand wheel green

Nadgradnja ventila sa točkom (PT)

Upgrading for straight stop valve with plastic hand wheel (PT)



Šifra proizvoda Code	Veličina Size	Pakovanje Pack	Težina Weight [kg]
10.12.01.6.*00	1/2"	100	0,102
10.34.01.6.*00	3/4"	100	0,124

* - Točak / Handwheel
 _ - Točak / Handwheel
 **1** - Točak plastični beli / Plastic hand wheel white
 **2** - Točak plastični zeleni / Plastic hand wheel green
 **3** - Točak plastični sivi / Plastic hand wheel grey

Nadgradnja ventila sa kapom

Upgrading for straight stop valve with plastic cap



Šifra proizvoda Code	Veličina Size	Pakovanje Pack	Težina Weight [kg]
10.12.02.2.000	1/2"	100	0,104
10.34.02.2.000	3/4"	100	0,126

Kapa / Cap: ABS
Rozetna / Rossete: Stainless steel
Površinska zaštita / Surface treatment: Hromiran / chrome plated

Nadgradnje Upgradings

Nadgradnja ventila sa kapom za duboku ugradnju

Upgrading for straight stop valve with plastic cap deep wall installation



Šifra proizvoda Code	Veličina Size	Pakovanje Pack	Težina Weight [kg]
10.12.03.2.000	1/2"	100	0,102
10.34.03.2.000	3/4"	100	0,126
Kapa / Cap: ABS Rozetna / Rossete: Stainless steel Površinska zaštita / Surface treatment: Hromiran / chrome plated			

Nadgradnja ventila sa kapom L80

Upgrading for straight stop valve with brass cap L80



Šifra proizvoda Code	Veličina Size	Pakovanje Pack	Težina Weight [kg]
10.12.03.1.000	1/2"	100	0,243
10.34.03.1.000	3/4"	100	0,263
Kapa / Cap: Mesing / Brass Rozetna / Rossete: Mesing / Brass Površinska zaštita / Surface treatment: Hromiran / Chrome plated			

Nadgradnja baštenske slavine

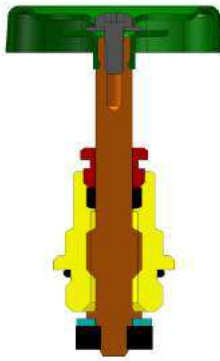
Upgrading for bibcocks



Šifra proizvoda Code	Veličina Size	Pakovanje Pack	Težina Weight [kg]
53.12.01.1.000.Ni	1/2"	100	0,116
53.34.02.1.000.Ni	3/4"	100	0,134
53.12.01.1.000.Cr	1/2"	100	0,116
53.34.02.1.000.Cr	3/4"	100	0,134
Površinska zaštita / Surface treatment: Ni - Niklovan / Nickel plated Cr - Hromiran / Chrome plated			

Nadgradnje Upgradings

Delovi / Parts

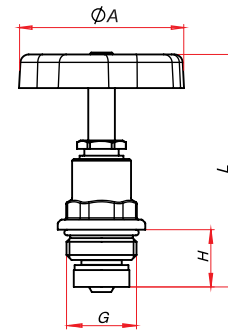


Deo Part	Oznaka Mark	Materijal Material
Telo Body		CW 617N EN12165
Vretno Spindle		CW 614N EN12164
Navrtka Screw nut		CW 614N EN12164
Zaptivači Seals		NBR
Zavrtnanj Fixing screw		Pocinkovani čelik Zinc plated steel
Točak Hand wheel		Čelik /ABS Steel /ABS

Dimenzije / Dimensions

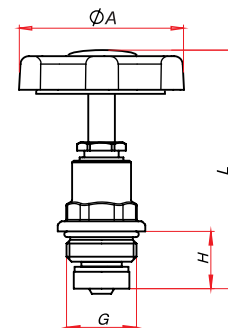
Nadgradnja ventila sa točkom (MT) Upgrading for straight stop valve with metal hand wheel (MT)

Šifra Code	Veličina Size	G ["]	A [mm]	H [mm]	L [mm]
10.12.01.4.000	1/2"	1/2"	50	17	73
10.34.01.4.000	3/4"	3/4"	55	17	73
10.10.01.4.000	1"	1"	60	19	77
10.54.01.4.000	1 1/4"	1 1/4"	60	27	95
10.64.01.4.000	1 1/2"	1 1/2"	70	32	120
10.20.01.4.000	2"	2"	70	35	127



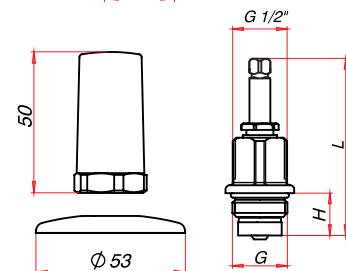
Nadgradnja ventila sa točkom (PT) Upgrading for straight stop valve with plastic hand wheel (PT)

Šifra Code	Veličina Size	G ["]	A [mm]	H [mm]	L [mm]
10.12.01.6.*00	1/2"	1/2"	50	17	76
10.34.01.6.*00	3/4"	3/4"	50	17	76



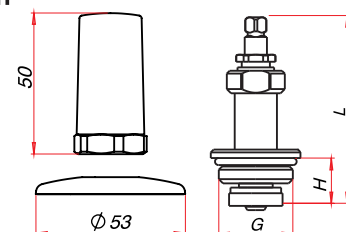
Nadgradnja ventila sa kapom Upgrading for straight stop valve with plastic cap

Šifra Code	Veličina Size	G ["]	H [mm]	L [mm]
10.12.02.2.000	1/2"	1/2"	17	67
10.34.02.2.000	3/4"	3/4"	17	67



Nadgradnja ventila sa kapom za duboku ugradnju Upgrading for straight stop valve with plastic cap deep wall installation

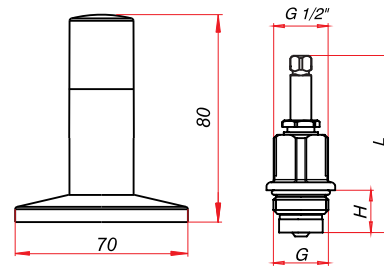
Šifra Code	Veličina Size	G ["]	H [mm]	L [mm]
10.12.03.2.000	1/2"	1/2"	17	67
10.34.03.2.000	3/4"	3/4"	17	67



Nadgradnje Upgradings

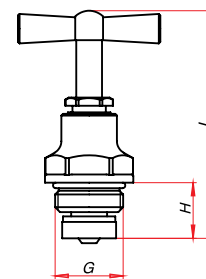
Nadgradnja ventila sa kapom L80 Upgrading for straight stop valve with brass cap L80

Šifra Code	Veličina Size	G ["]	H [mm]	L [mm]
10.12.03.1.000	1/2"	1/2"	17	67
10.34.03.1.000	3/4"	3/4"	17	67



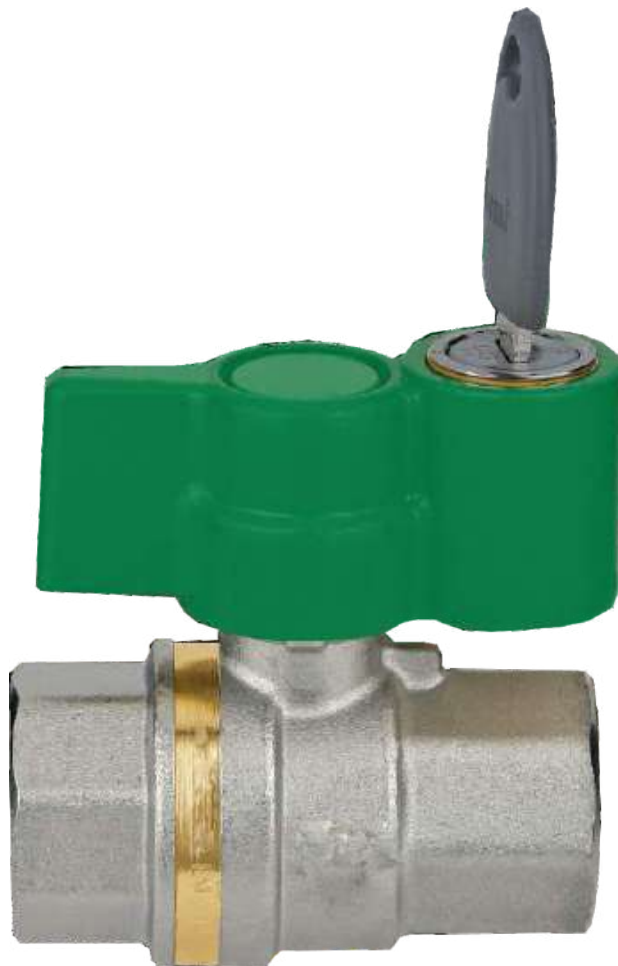
Nadgradnja baštenske slavine Upgrading for bibcocks

Šifra Code	Veličina Size	G ["]	H [mm]	L [mm]
53.12.01.1.000.Ni	1/2"	1/2"	17	71
53.34.01.1.000.Ni	3/4"	3/4"	17	71
53.12.01.1.000.Cr	1/2"	1/2"	17	71
53.34.01.1.000.Cr	3/4"	3/4"	17	71



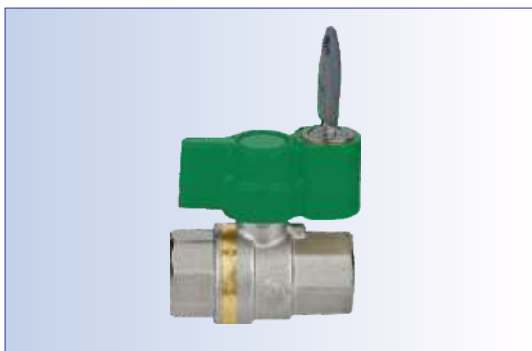
Kuglasti ventil sa zaključavanjem

Locking ball valve



Kuglasti ventil sa zaključavanjem

Locking ball valve



Šifra proizvoda Code	Veličina Size	Pakovanje Pack	Težina Weight [kg]
75.12.01.0.000	1/2"	40	0,389
75.34.02.0.000	3/4"	35	0,560
75.10.03.0.000	1"	20	0,741

Površinska zaštita / Surface treatment: Niklovan / nickel plated
Boja rukohvat / Handle color: Zelena / green

Kuglasti ventil sa zaključavanjem

Locking ball valve

VENTIL OTVOREN
VALVE OPENED

IZLAZ / OUT ←
ULAZ / IN →



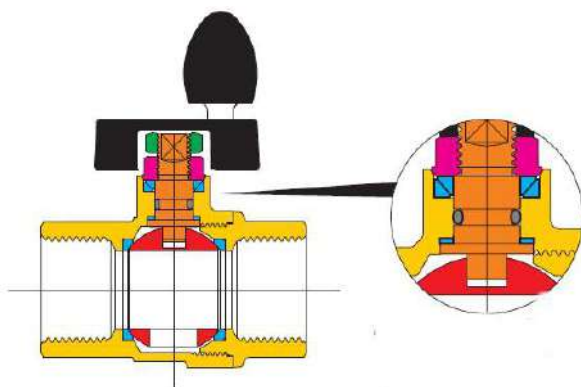
KLJUČ U POZICIJI OTVORENO
KEY OPENED

VENTIL ZATVOREN
VALVE CLOSED



KLJUČ U POZICIJI ZATVORENO
KEY LOCKED

Delovi / Parts

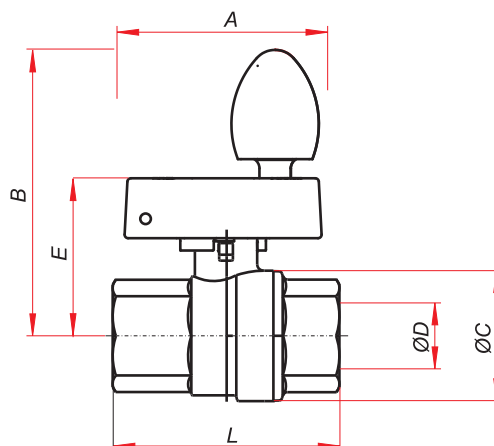


Deo Part	Oznaka Mark	Materijal Material
Telo Body	●	CW 617N EN12165
Navrtka Screw nut	●	CW 617N EN12165
Vreteno Spindle	●	CW 617N EN12165
Kugla hromirano polirana Chromium pl. polished ball	●	CW 617N EN12165
Zaptivači Seals	●	PTFE
Zaptivač Stem packing O-ring	●	NBR
Rukohvat Handle	●	Legura aluminijuma Aluminium alloy
Zavrtnanj Fixing screw	●	Pocinkovani čelik Zinc plated steel
Površinska zaštita Surface treatment	-	Niklovan Nickel plated

Dimenzije / Dimensions

Kuglasti ventil sa zaključavanjem Locking ball valve

Šifra Code	Veličina Size	A [mm]	B [mm]	L [mm]	E [mm]	ØC [mm]	ØD [mm]
75.12.01.0.000	1/2"	69	86,2	61	49,8	32	15
75.34.02.0.000	3/4"	69	89,2	70	52,8	40	20
75.10.03.0.000	1"	69	92,2	84	55,8	48	25



Ugaoni ventil

Angle valve



Ugaoni ventil sa plastičnim rukohvatom i signalom

Angle valve with plastic handle and signal plate



Šifra proizvoda Code	Veličina Size	Boja signala Single plate	Pakovanje Pack	Težina Weight [kg]
29.38.01.0.000.Cr	1/2"-3/8"	Plava Blue	100	0,110
29.38.01.5.000.Cr	1/2"-3/8"	Crvena Red	100	0,110
29.12.02.0.000.Cr	1/2"-1/2"	Plava Blue	100	0,112
29.12.02.5.000.Cr	1/2"-1/2"	Crvena Red	100	0,112

Površinska zaštita / Surface treatment: Hromiran / chrome plated
Rukohvat / Handle: ABS
Boja rukohvat / Color Handle: Bela / White

Ugaoni ventil sa plastičnim hromiranim rukohvatom

Angle valve with plastic chromized handle



Šifra proizvoda Code	Veličina Size	Pakovanje Pack	Težina Weight [kg]
29.38.05.0.000.Cr	1/2"-3/8"	100	0,108
29.12.05.0.000.Cr	1/2"-1/2"	100	0,110

Površinska zaštita / Surface treatment: Hromiran / chrome plated
Rukohvat / Handle: ABS
Boja rukohvat / Color Handle: Hromiran / chrome plated

Ugaoni ventil sa metalnim rukohvatom i signalom

Angle valve with metal handle and signal plate



Šifra proizvoda Code	Veličina Size	Boja signala Single plate	Pakovanje Pack	Težina Weight [kg]
29.38.07.0.000.Cr	1/2"-3/8"	Plava Blue	100	0,164
29.38.07.5.000.Cr	1/2"-3/8"	Crvena Red	100	0,164
29.12.07.0.000.Cr	1/2"-1/2"	Plava Blue	100	0,166
29.12.07.5.000.Cr	1/2"-1/2"	Crvena Red	100	0,166

Površinska zaštita / Surface treatment: Hromiran / chrome plated
Rukohvat / Handle: Metalni / metal
Boja rukohvat / Color Handle: Hromiran / chrome plated

Ugaoni ventil

Angle valve

Ugaoni ventil sa kuglom

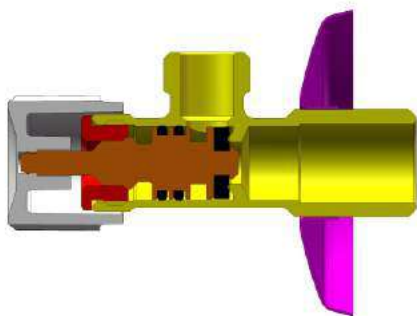
Angle valve with sphere



Šifra proizvoda Code	Veličina Size	Pakovanje Pack	Težina Weight [kg]
29.38.04.0.000.Cr	1/2"-3/8"	100	0,080
29.12.04.0.000.Cr	1/2"-1/2"	100	0,087
29.34.04.0.000.Cr	1/2"-3/4"	100	0,094

Površinska zaštita / Surface treatment: Hromiran / chrome plated
Rukohvat / Handle: ABS
Boja rukohvat / Color Handle: Hromiran / chrome plated

Delovi / Parts



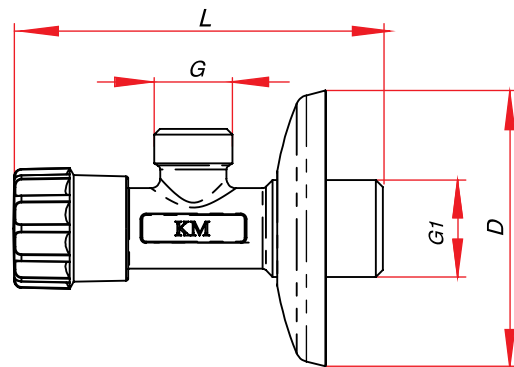
Deo Part	Oznaka Mark	Materijal Material
Telo Body	●	CW 617N EN12165
Rukohvat Handle	●	ABS / Metal
Rozetna Rossete	●	Stainless steel
Zaptivači Seals	●	NBR
Navrtka Screw nut	●	CW 614N EN12164
Površinska zaštita Surface treatment	-	Hromiran Chrome plated

Dimenzije / Dimensions

Ugaoni ventil sa rukohvatom

Angle valve with handle

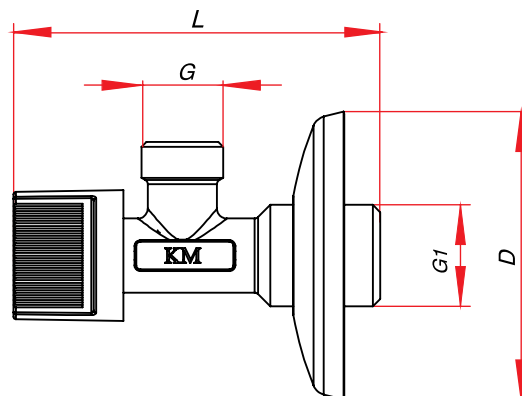
Šifra Code	Veličina Size	G ["]	G1 ["]	L [mm]	ØD [mm]
29.38.01.0.000.Cr	1/2" - 3/8"	3/8"	1/2"	85	56
29.38.01.5.000.Cr	1/2" - 3/8"	3/8"	1/2"	85	56
29.12.02.0.000.Cr	1/2" - 1/2"	1/2"	1/2"	85	56
29.12.02.5.000.Cr	1/2" - 1/2"	1/2"	1/2"	85	56
29.38.05.0.000.Cr	1/2" - 3/8"	3/8"	1/2"	82	56
29.12.05.0.000.Cr	1/2" - 1/2"	1/2"	1/2"	82	56
29.38.07.0.000.Cr	1/2" - 3/8"	3/8"	1/2"	88	56
29.38.07.5.000.Cr	1/2" - 3/8"	3/8"	1/2"	88	56
29.12.07.0.000.Cr	1/2" - 1/2"	1/2"	1/2"	88	56
29.12.07.5.000.Cr	1/2" - 1/2"	1/2"	1/2"	88	56



Ugaoni ventil sa kuglom

Angle valve with sphere

Šifra Code	Veličina Size	G ["]	G1 ["]	L [mm]	ØD [mm]
29.38.04.0.000.Cr	1/2" - 3/8"	3/8"	1/2"	78	56
29.12.04.0.000.Cr	1/2" - 1/2"	1/2"	1/2"	78	56
29.34.04.0.000.Cr	1/2" - 3/4"	3/4"	1/2"	78	56



Baštenska slavina Bibcocks



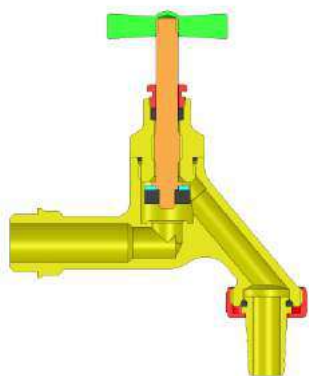
Baštenska slavina Bibcocks



Šifra proizvoda Code	Veličina Size	Pakovanje Pack	Težina Weight [kg]
53.12.01.0.000.*	1/2"	20	0,360
53.34.02.0.000.*	3/4"	20	0,410

* - Površinska zaštita / Surface treatment:
Ni - Niklovan / nickel plated
Cr - Hromiran / chrome plated

Delovi / Parts

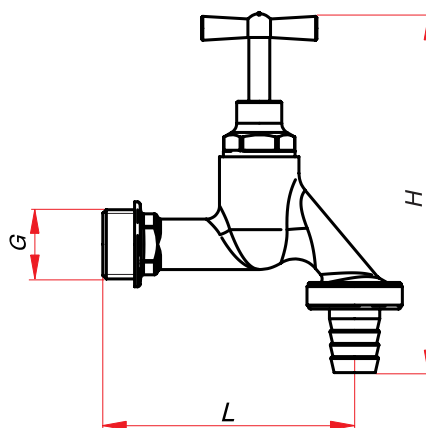


Deo Part	Oznaka Mark	Materijal Material
Telo Body	●	CW 617N EN12165
Vretno Spindle	●	CW 614N EN12164
Nosac ronele Bracket	●	CW 617N EN12165
Navrtka Screw nut	●	CW 617N EN12165
Telo Body	●	CW 614N EN12164
Navrtka Screw nut	●	CW 614N EN12164
Rukohvat Handle	●	CW 614N EN12164
Zaptivači Seals	●	NBR

Dimenzije / Dimensions

Baštenska slavina Bibcocks

Šifra Code	Veličina Size	G ["]	L [mm]	H [mm]
53.12.01.0.000.*	1/2"	1/2"	90	160
53.34.02.0.000.*	3/4"	3/4"	93	163



Spojnice Couplings



Poluspojnica sa elastičnim prstenom SN Single joint for PE pipe with male thread



Šifra proizvoda Code	Veličina Size	Veličina creva Pipe dimension	Pakovanje Pack	Težina [kg] Weight
02.12.01.2.000	1/2"	Ø20	100	0,085
02.34.02.2.000	3/4"	Ø25	50	0,105
02.10.03.2.000	1"	Ø32	50	0,170
02.54.04.2.000	1 1/4"	Ø40	20	0,336
02.64.05.2.000	1 1/2"	Ø50	10	0,460
02.20.06.2.000	2"	Ø63	5	0,830

Poluspojnica sa elastičnim prstenom UN Single joint for PE pipe with female thread



Šifra proizvoda Code	Veličina Size	Veličina creva Pipe dimension	Pakovanje Pack	Težina [kg] Weight
02.12.19.0.000	1/2"	Ø20	100	0,091
02.34.20.0.000	3/4"	Ø25	50	0,116
02.10.21.0.000	1"	Ø32	50	0,217
02.54.22.0.000	1 1/4"	Ø40	20	0,315
02.64.23.0.000	1 1/2"	Ø50	10	0,570
02.20.24.0.000	2"	Ø63	5	1,040

Spojnica sa elastičnim prstenom Straight joint for PE pipe



Šifra proizvoda Code	Veličina Size	Veličina creva Pipe dimension	Pakovanje Pack	Težina [kg] Weight
02.12.01.3.000	1/2"	Ø20	75	0,142
02.34.02.3.000	3/4"	Ø25	50	0,212
02.10.03.3.000	1"	Ø32	50	0,300
02.54.04.3.000	1 1/4"	Ø40	20	0,511
02.64.05.3.000	1 1/2"	Ø50	10	0,786
02.20.06.3.000	2"	Ø63	5	1,172

Spojnice Couplings

Ugaona poluspojnica sa elastičnim prstenom SN

Angle joint for PE pipe with male thread



Šifra proizvoda Code	Veličina Size	Veličina creva Pipe dimension	Pakovanje Pack	Težina [kg] Weight
58.12.01.0.000	1/2"	Ø20	75	0,125
58.34.02.0.000	3/4"	Ø25	50	0,172
58.10.03.0.000	1"	Ø32	50	0,387
58.54.04.0.000	1 1/4"	Ø40	20	0,549
58.64.05.0.000	1 1/2"	Ø50	10	0,732
58.20.06.0.000	2"	Ø63	5	1,256

Ugaona poluspojnica sa elastičnim prstenom UN

Angle joint for PE pipe with female thread



Šifra proizvoda Code	Veličina Size	Veličina creva Pipe dimension	Pakovanje Pack	Težina [kg] Weight
58.12.01.1.000	1/2"	Ø20	75	0,131
58.34.02.1.000	3/4"	Ø25	50	0,181
58.10.03.1.000	1"	Ø32	50	0,412
58.54.04.1.000	1 1/4"	Ø40	20	0,564
58.64.05.1.000	1 1/2"	Ø50	10	0,792
58.20.06.1.000	2"	Ø63	5	1,412

Ugaona spojnica sa elastičnim prstenom

Angle joint for PE pipe



Šifra proizvoda Code	Veličina Size	Veličina creva Pipe dimension	Pakovanje Pack	Težina [kg] Weight
58.12.01.2.000	1/2"	Ø20	75	0,185
58.34.02.2.000	3/4"	Ø25	50	0,261
58.10.03.2.000	1"	Ø32	50	0,443
58.54.04.2.000	1 1/4"	Ø40	20	0,592
58.64.05.2.000	1 1/2"	Ø50	10	0,893
58.20.06.2.000	2"	Ø63	5	1,754

T - spojnica sa elastičnim prstenom SN

T - joint for PE pipe with male thread



Šifra proizvoda Code	Veličina Size	Veličina creva Pipe dimension	Pakovanje Pack	Težina [kg] Weight
59.12.01.1.000	1/2"	Ø20	75	0,222
59.34.02.1.000	3/4"	Ø25	50	0,295
59.10.03.1.000	1"	Ø32	50	0,485
59.54.04.1.000	1 1/4"	Ø40	20	0,742
59.64.05.1.000	1 1/2"	Ø50	10	1,101
59.20.06.1.000	2"	Ø63	5	1,671

Spojnice Couplings

T - spojnica sa elastičnim prstenom UN

T - joint for PE pipe with female thread



Šifra proizvoda Code	Veličina Size	Veličina creva Pipe dimension	Pakovanje Pack	Težina [kg] Weight
59.12.01.2.000	1/2"	Ø20	75	0,231
59.34.02.2.000	3/4"	Ø25	50	0,301
59.10.03.2.000	1"	Ø32	50	0,538
59.54.04.2.000	1 1/4"	Ø40	20	0,795
59.64.05.2.000	1 1/2"	Ø50	10	1,221
59.20.06.2.000	2"	Ø63	5	1,822

T - spojnica sa elastičnim prstenom

T - joint for PE pipe



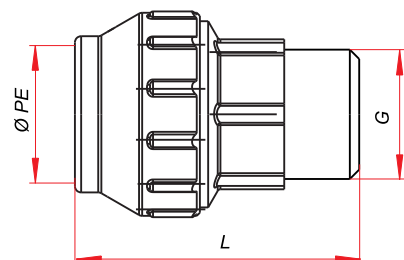
Šifra proizvoda Code	Veličina Size	Veličina creva Pipe dimension	Pakovanje Pack	Težina [kg] Weight
59.12.01.0.000	1/2"	Ø20	75	0,240
59.34.02.0.000	3/4"	Ø25	50	0,312
59.10.03.0.000	1"	Ø32	50	0,598
59.54.04.0.000	1 1/4"	Ø40	20	0,832
59.64.05.0.000	1 1/2"	Ø50	10	1,294
59.20.06.0.000	2"	Ø63	5	1,980

Dimenzije / Dimensions

Poluspojnica sa elastičnim prstenom SN

Single joint for PE pipe with male thread

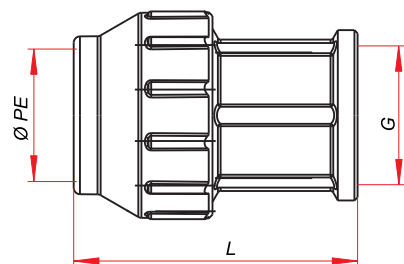
Šifra Code	Veličina Size	G ["]	ØPE [mm]	L [mm]
02.12.01.2.000	1/2"	1/2"	20	41
02.34.02.2.000	3/4"	3/4"	25	43
02.10.03.2.000	1"	1"	32	51
02.54.04.2.000	1 1/4"	1 1/4"	40	69
02.64.05.2.000	1 1/2"	1 1/2"	50	76
02.20.06.2.000	2"	2"	63	89



Poluspojnica sa elastičnim prstenom UN

Single joint for PE pipe with female thread

Šifra Code	Veličina Size	G ["]	ØPE [mm]	L [mm]
02.12.19.0.000	1/2"	1/2"	20	45
02.34.20.0.000	3/4"	3/4"	25	49
02.10.21.0.000	1"	1"	32	57
02.54.22.0.000	1 1/4"	1 1/4"	40	67
02.64.23.0.000	1 1/2"	1 1/2"	50	72
02.20.24.0.000	2"	2"	63	85



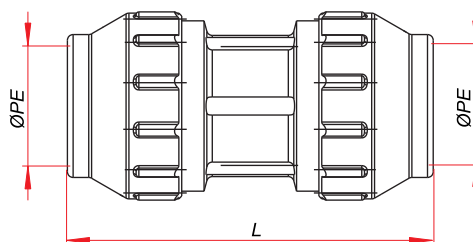
Spojnice

Couplings

Spojnica sa elastičnim prstenom

Straight joint for PE pipe

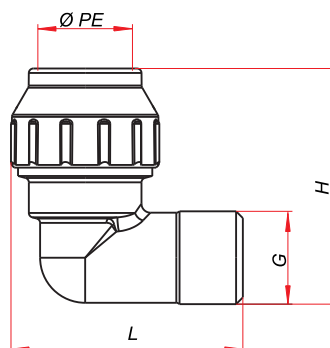
Šifra Code	Veličina Size	ØPE [mm]	L [mm]
02.12.01.3.000	1/2"	20	43
02.34.02.3.000	3/4"	25	56
02.10.03.3.000	1"	32	70
02.54.04.3.000	1 1/4"	40	96
02.64.05.3.000	1 1/2"	50	108
02.20.06.3.000	2"	63	122



Ugaona poluspojnica sa elastičnim prstenom SN

Angle joint for PE pipe with male thread

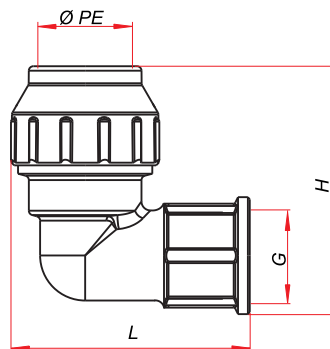
Šifra Code	Veličina Size	G ["]	H [mm]	ØPE [mm]	L [mm]
58.12.01.0.000	1/2"	1/2"	48	20	44
58.34.02.0.000	3/4"	3/4"	54	25	50
58.10.03.0.000	1"	1"	67	32	61
58.54.04.0.000	1 1/4"	1 1/4"	81	40	70
58.64.05.0.000	1 1/2"	1 1/2"	105	50	81
58.20.06.0.000	2"	2"	120	63	103



Ugaona poluspojnica sa elastičnim prstenom UN

Angle joint for PE pipe with female thread

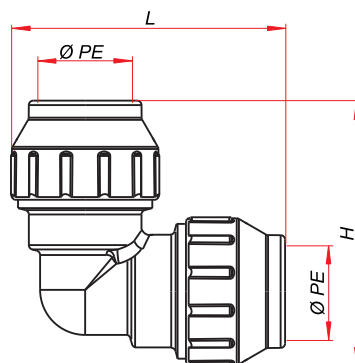
Šifra Code	Veličina Size	G ["]	H [mm]	ØPE [mm]	L [mm]
58.12.01.1.000	1/2"	1/2"	51	20	47
58.34.02.1.000	3/4"	3/4"	57	25	55
58.10.03.1.000	1"	1"	61	32	67
58.54.04.1.000	1 1/4"	1 1/4"	86	40	78
58.64.05.1.000	1 1/2"	1 1/2"	111	50	83
58.20.06.1.000	2"	2"	127	63	106



Ugaona spojnica sa elastičnim prstenom

Angle joint for PE pipe

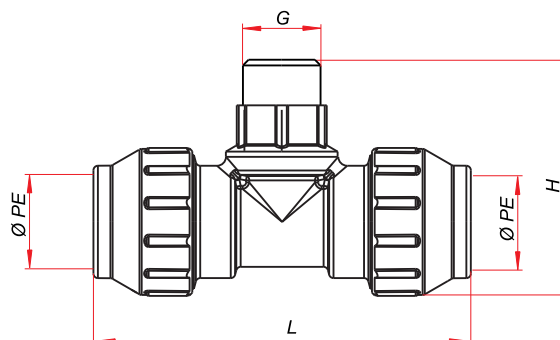
Šifra Code	Veličina Size	G ["]	H [mm]	ØPE [mm]	L [mm]
58.12.01.2.000	1/2"	1/2"	55	20	55
58.34.02.2.000	3/4"	3/4"	62	25	62
58.10.03.2.000	1"	1"	85	32	85
58.54.04.2.000	1 1/4"	1 1/4"	100	40	100
58.64.05.2.000	1 1/2"	1 1/2"	117	50	117
58.20.06.2.000	2"	2"	150	63	150



Spojnice Couplings

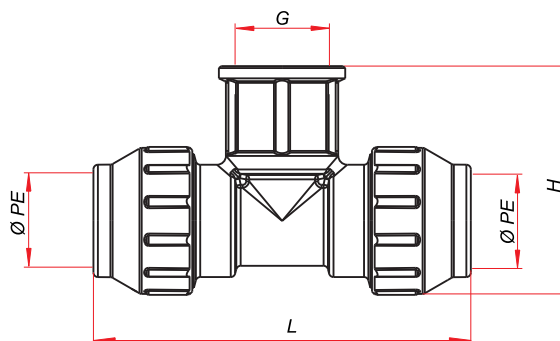
T - spojnica sa elastičnim prstenom SN T - joint for PE pipe with male thread

Šifra Code	Veličina Size	G ["]	H [mm]	ØPE [mm]	L [mm]
59.12.01.1.000	1/2"	1/2"	44	20	83
59.34.02.1.000	3/4"	3/4"	50	25	89
59.10.03.1.000	1"	1"	61	32	115
59.54.04.1.000	1 1/4"	1 1/4"	70	40	132
59.64.05.1.000	1 1/2"	1 1/2"	81	50	150
59.20.06.1.000	2"	2"	103	63	180



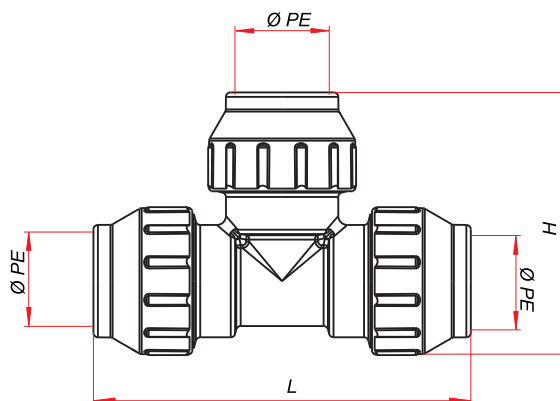
T - spojnica sa elastičnim prstenom UN T - joint for PE pipe with female thread

Šifra Code	Veličina Size	G ["]	H [mm]	ØPE [mm]	L [mm]
59.12.01.2.000	1/2"	1/2"	47	20	83
59.34.02.2.000	3/4"	3/4"	55	25	89
59.10.03.2.000	1"	1"	67	32	115
59.54.04.2.000	1 1/4"	1 1/4"	78	40	132
59.64.05.2.000	1 1/2"	1 1/2"	83	50	150
59.20.06.2.000	2"	2"	106	63	180



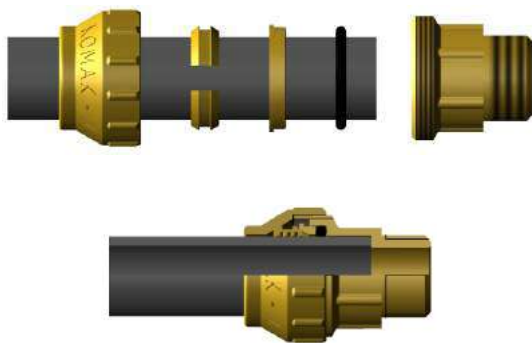
T - spojnica sa elastičnim prstenom T - joint for PE pipe

Šifra Code	Veličina Size	G ["]	H [mm]	ØPE [mm]	L [mm]
59.12.01.0.000	1/2"	1/2"	55	20	83
59.34.02.0.000	3/4"	3/4"	62	25	89
59.10.03.0.000	1"	1"	85	32	115
59.54.04.0.000	1 1/4"	1 1/4"	100	40	132
59.64.05.0.000	1 1/2"	1 1/2"	117	50	150
59.20.06.0.000	2"	2"	150	63	180

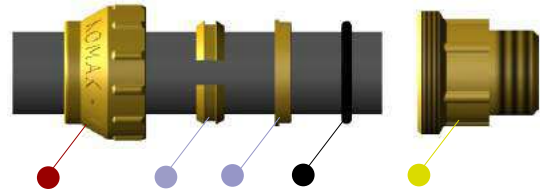


Spojnice Couplings

Montaža / Installation



Delovi / Parts



Deo Part	Oznaka Mark	Materijal Material
Telo Body	●	CW 617N EN12165
Navrtka Nut	●	CW 617N EN12165
Prsten Ring	●	CW 614N EN12164
Zaptivač Cone-shaped sealing	●	NBR

Uputstvo za montažu

Isecite cev pod pravim uglom koristeći odgovarajući alat i otklonite vrhove i neravnine sa spoljne ivice cevi. Stavite navrtku i kompresioni prsten sa spoljašnje strane cevi. Postavite O-prsten na prvobitnu poziciju u telu spojnice, gurnite cev u telo sve do tela spojnice, vodeći računa da ne pomerite O-prsten. Pritegnite navrtku ručno, koliko je to moguće. Prednji deo elastičnog prstena će se simetrično saviti oko cevi i njegovo ozubljenje će prodrati u zid cevi, omogućavajući jaku vezu i obezbeđujući da se spojnica ne izvuče iz cevi. Koristeći odgovarajući ključ ili vodoinstalaterska klešta, izvršiti dodatno pritezanje navrtke, prema broju okretanja datim ispod:

Za artikle dimenzija od Ø20 - Ø32 (1/2" - 1") - min 1 - max 1,5 obrtaja

Za artikle dimenzija od Ø40 - Ø63 (1 1/4" - 2") - min 1,5 - max 2 obrtaja

Assembling instructions

Cut the pipe straight across by using appropriate tool and remove all burrs and bevels from the outer edge of the pipe. Put the nut and compression ring on the outside of the pipe. Place O-ring on original position of the socket. Push the pipe to the socket until it is totally against the bottom of socket, taking care that O-ring remain in the original position. Tight the nut by hand as much as possible. The front part of elastic ring will bend symmetrically onto the pipe, and the teeth will penetrate into the wall of the pipe, providing the strong connection and preventing the pull-out of the pipe. Use the spanner for additional straining, according to the number of turns show below:

For articles dimensions from Ø20 - Ø32 (1/2" - 1") - min 1 - max 1,5 turns

For articles dimensions from Ø40 - Ø63 (1 1/4" - 2") - min 1,5 - max 2 turns

Tehnička specifikacija

Primena: Za PE cevi prema EN ISO 12201

Pritisak: PN25

Materijal: CW 617N EN 12165

Dimenzije: prema EN 1254-3

Navoj: prema ISO 228 (EN 1254-4)

Otpornost na decinfikaciju: EN ISO 6509

Naponska korozija: ISO 6957

Nepropusnost pod dejstvom unutrašnjeg pritiska: EN 715

Nepropusnost pri savijanju: EN 713

Otpornost na izvlačenje: EN 712

Technical specifications

Assembly instructions: PE pipe connectors, compression type

Application: For PE pipes according to EN ISO 12201

Pressure rating: PN25

Materials: CW 617N EN 12165

Dimensions: EN 1254-3

Threads: ISO 228 (EN 1254-4)

Dezincification resistance: EN ISO 6509

Stress corrosion: ISO 6957

Tightness in positive pressure: EN 715

Tightness on bending: EN 713

Pull-out: EN 712

Spojnice tip H

Couplings type H



Poluspojnica sa elastičnim prstenom SN tip H

Single joint for PE pipe with male thread type H



Šifra proizvoda Code	Veličina Size	Veličina creva Pipe dimension	Pakovanje Pack	Težina [kg] Weight
02.12.07.0.000	1/2"	Ø20	100	0,076
02.34.08.0.000	3/4"	Ø25	50	0,120
02.10.09.0.000	1"	Ø32	50	0,196
02.54.10.0.000	1 1/4"	Ø40	20	0,309
02.64.11.0.000	1 1/2"	Ø50	10	0,438
02.20.12.0.000	2"	Ø63	5	0,706

Poluspojnica sa elastičnim prstenom UN tip H

Single joint for PE pipe with female thread type H



Šifra proizvoda Code	Veličina Size	Veličina creva Pipe dimension	Pakovanje Pack	Težina [kg] Weight
02.12.25.0.000	1/2"	Ø20	100	0,095
02.34.26.0.000	3/4"	Ø25	50	0,121
02.10.27.0.000	1"	Ø32	50	0,248
02.54.28.0.000	1 1/4"	Ø40	20	0,326
02.64.29.0.000	1 1/2"	Ø50	10	0,596
02.20.30.0.000	2"	Ø63	5	1,107

Spojnica sa elastičnim prstenom tip H

Straight joint for PE pipe type H



Šifra proizvoda Code	Veličina Size	Veličina creva Pipe dimension	Pakovanje Pack	Težina [kg] Weight
02.12.07.3.000	1/2"	Ø20	75	0,146
02.34.08.3.000	3/4"	Ø25	50	0,262
02.10.09.3.000	1"	Ø32	50	0,361
02.54.10.3.000	1 1/4"	Ø40	20	0,533
02.64.11.3.000	1 1/2"	Ø50	10	0,838
02.20.12.3.000	2"	Ø63	5	1,306

Spojnice tip H

Couplings type H

Ugaona poluspojnica sa elastičnim prstenom tip H

Angle joint for PE pipe type H



Šifra proizvoda Code	Veličina Size	Veličina creva Pipe dimension	Pakovanje Pack	Težina [kg] Weight
58.12.07.0.000	1/2"	Ø20	75	0,131
58.34.08.0.000	3/4"	Ø25	50	0,197
58.10.09.0.000	1"	Ø32	50	0,412
58.54.10.0.000	1 1/4"	Ø40	20	0,560
58.64.11.0.000	1 1/2"	Ø50	10	0,758
58.20.12.0.000	2"	Ø63	5	1,199

Ugaona poluspojnica sa elastičnim prstenom UN tip H

Angle joint for PE pipe with female thread type H



Šifra proizvoda Code	Veličina Size	Veličina creva Pipe dimension	Pakovanje Pack	Težina [kg] Weight
58.12.07.1.000	1/2"	Ø20	75	0,137
58.34.08.1.000	3/4"	Ø25	50	0,203
58.10.09.1.000	1"	Ø32	50	0,437
58.54.10.1.000	1 1/4"	Ø40	20	0,575
58.64.11.1.000	1 1/2"	Ø50	10	0,818
58.20.12.1.000	2"	Ø63	5	1,469

Ugaona spojnica sa elastičnim prstenom tip H

Angle joint for PE pipe type H



Šifra proizvoda Code	Veličina Size	Veličina creva Pipe dimension	Pakovanje Pack	Težina [kg] Weight
58.12.07.2.000	1/2"	Ø20	75	0,191
58.34.08.2.000	3/4"	Ø25	50	0,285
58.10.09.2.000	1"	Ø32	50	0,468
58.54.10.2.000	1 1/4"	Ø40	20	0,603
58.64.11.2.000	1 1/2"	Ø50	10	0,919
58.20.12.2.000	2"	Ø63	5	1,801

T - spojnica sa elastičnim prstenom SN tip H

T - joint for PE pipe with male thread type H



Šifra proizvoda Code	Veličina Size	Veličina creva Pipe dimension	Pakovanje Pack	Težina [kg] Weight
59.12.07.1.000	1/2"	Ø20	75	0,236
59.34.08.1.000	3/4"	Ø25	50	0,320
59.10.09.1.000	1"	Ø32	50	0,510
59.54.10.1.000	1 1/4"	Ø40	20	0,761
59.64.11.1.000	1 1/2"	Ø50	10	1,126
59.20.12.1.000	2"	Ø63	5	1,726

Spojnice tip H

Couplings type H

T - spojnica sa elastičnim prstenom UN tip H

T - joint for PE pipe with female thread type H



Šifra proizvoda Code	Veličina Size	Veličina creva Pipe dimension	Pakovanje Pack	Težina [kg] Weight
59.12.07.2.000	1/2"	Ø20	75	0,245
59.34.08.2.000	3/4"	Ø25	50	0,325
59.10.09.2.000	1"	Ø32	50	0,563
59.54.10.2.000	1 1/4"	Ø40	20	0,814
59.64.11.2.000	1 1/2"	Ø50	10	1,247
59.20.12.2.000	2"	Ø63	5	1,877

T - spojnica sa elastičnim prstenom tip H

T - joint for PE pipe type H

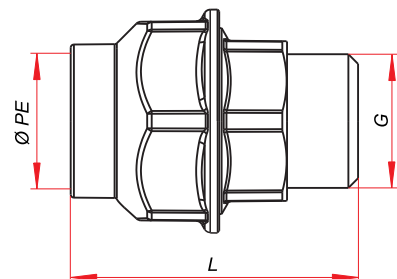


Šifra proizvoda Code	Veličina Size	Veličina creva Pipe dimension	Pakovanje Pack	Težina [kg] Weight
59.12.07.0.000	1/2"	Ø20	75	0,272
59.34.08.0.000	3/4"	Ø25	50	0,362
59.10.09.0.000	1"	Ø32	50	0,691
59.54.10.0.000	1 1/4"	Ø40	20	0,865
59.64.11.0.000	1 1/2"	Ø50	10	1,372
59.20.12.0.000	2"	Ø63	5	2,181

Dimenzije / Dimensions

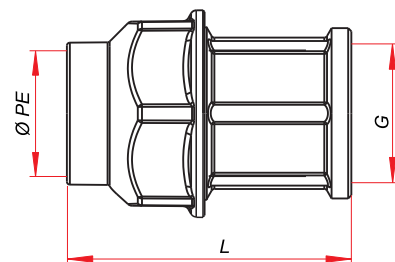
Poluspojnica sa elastičnim prstenom tip H
Single joint for PE pipe with male thread type H

Šifra Code	Veličina Size	G ["]	ØPE [mm]	L [mm]
02.12.07.0.000	1/2"	1/2"	20	44
02.34.08.0.000	3/4"	3/4"	25	55
02.10.09.0.000	1"	1"	32	61
02.54.10.0.000	1 1/4"	1 1/4"	40	71
02.64.11.0.000	1 1/2"	1 1/2"	50	74
02.20.12.0.000	2"	2"	63	87



Poluspojnica sa elastičnim prstenom UN tip H
Single joint for PE pipe with female thread type H

Šifra Code	Veličina Size	G ["]	ØPE [mm]	L [mm]
02.12.25.0.000	1/2"	1/2"	20	48
02.34.26.0.000	3/4"	3/4"	25	61
02.10.27.0.000	1"	1"	32	65
02.54.28.0.000	1 1/4"	1 1/4"	40	70
02.64.29.0.000	1 1/2"	1 1/2"	50	72
02.20.30.0.000	2"	2"	63	83



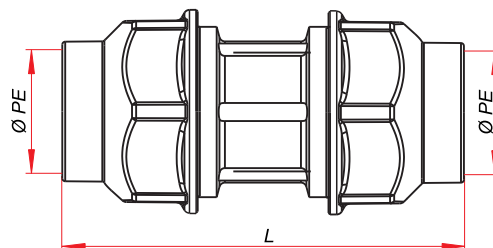
Spojnice tip H

Couplings type H

Spojnica sa elastičnim prstenom tip H

Straight joint for PE pipe type H

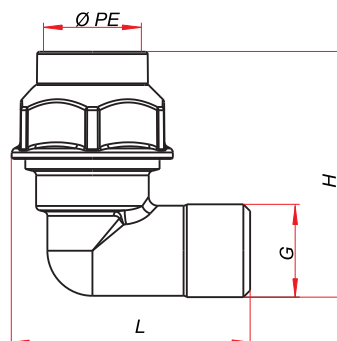
Šifra Code	Veličina Size	ØPE [mm]	L [mm]
02.12.07.3.000	1/2"	20	49
02.34.08.3.000	3/4"	25	66
02.10.09.3.000	1"	32	73
02.54.10.3.000	1 1/4"	40	99
02.64.11.3.000	1 1/2"	50	104
02.20.12.3.000	2"	63	118



Ugaona poluspojnica sa elastičnim prstenom tip H

Angle joint for PE pipe type H

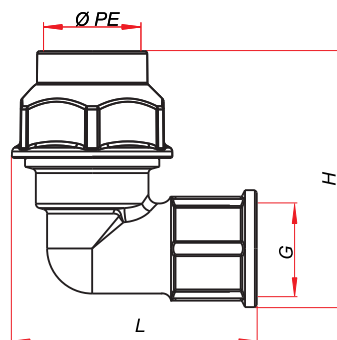
Šifra Code	Veličina Size	G ["]	H [mm]	ØPE [mm]	L [mm]
58.12.07.0.000	1/2"	1/2"	51	20	46
58.34.08.0.000	3/4"	3/4"	66	25	53
58.10.09.0.000	1"	1"	78	32	64
58.54.10.0.000	1 1/4"	1 1/4"	83	40	75
58.64.11.0.000	1 1/2"	1 1/2"	103	50	85
58.20.12.0.000	2"	2"	118	63	107



Ugaona poluspojnica sa elastičnim prstenom UN tip H

Angle joint for PE pipe with female thread type H

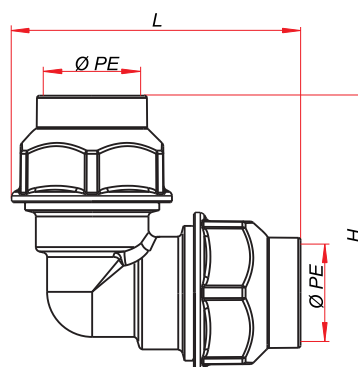
Šifra Code	Veličina Size	G ["]	H [mm]	ØPE [mm]	L [mm]
58.12.07.1.000	1/2"	1/2"	57	20	50
58.34.08.1.000	3/4"	3/4"	65	25	60
58.10.08.1.000	1"	1"	72	32	73
58.54.10.1.000	1 1/4"	1 1/4"	99	40	81
58.64.11.1.000	1 1/2"	1 1/2"	119	50	85
58.20.12.1.000	2"	2"	137	63	109



Ugaona spojnica sa elastičnim prstenom tip H

Angle joint for PE pipe type H

Šifra Code	Veličina Size	G ["]	H [mm]	ØPE [mm]	L [mm]
58.12.07.2.000	1/2"	1/2"	61	20	61
58.34.08.2.000	3/4"	3/4"	72	25	72
58.10.09.2.000	1"	1"	97	32	97
58.54.10.2.000	1 1/4"	1 1/4"	116	40	116
58.64.11.2.000	1 1/2"	1 1/2"	129	50	129
58.20.12.2.000	2"	2"	164	63	164



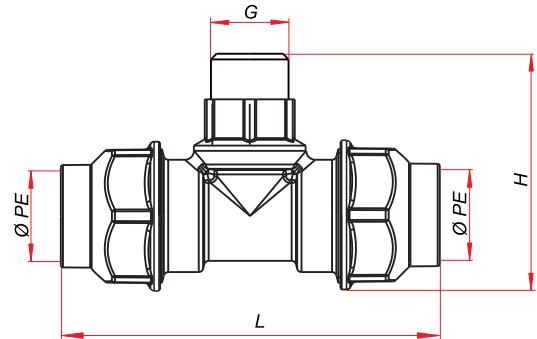
Spojnice tip H

Couplings type H

T - spojnica sa elastičnim prstenom SN tip H

T - joint for PE pipe with male thread type H

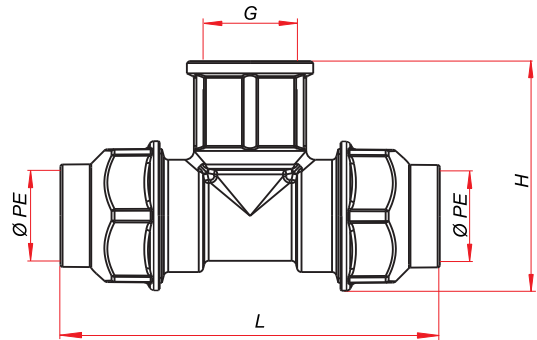
Šifra Code	Veličina Size	G ["]	H [mm]	ØPE [mm]	L [mm]
59.12.07.1.000	1/2"	1/2"	46	20	89
59.34.08.1.000	3/4"	3/4"	53	25	103
59.10.09.1.000	1"	1"	64	32	117
59.54.10.1.000	1 1/4"	1 1/4"	75	40	136
59.64.11.1.000	1 1/2"	1 1/2"	85	50	146
59.20.12.1.000	2"	2"	107	63	176



T - spojnica sa elastičnim prstenom UN tip H

T - joint for PE pipe with female thread type H

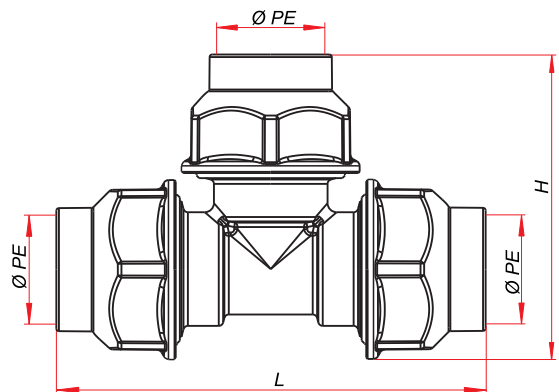
Šifra Code	Veličina Size	G ["]	H [mm]	ØPE [mm]	L [mm]
59.12.07.2.000	1/2"	1/2"	50	20	89
59.34.08.2.000	3/4"	3/4"	58	25	103
59.10.09.2.000	1"	1"	72	32	117
59.54.10.2.000	1 1/4"	1 1/4"	83	40	136
59.64.11.2.000	1 1/2"	1 1/2"	89	50	146
59.20.12.2.000	2"	2"	113	63	176



T - spojnica sa elastičnim prstenom tip H

T - joint for PE pipe type H

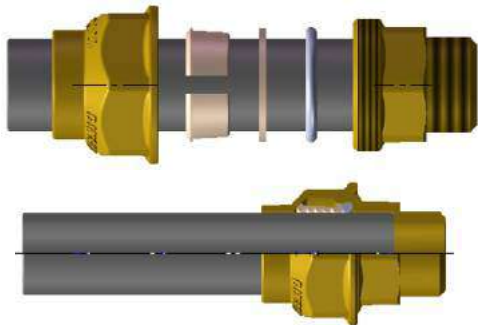
Šifra Code	Veličina Size	H [mm]	ØPE [mm]	L [mm]
59.12.07.0.000	1/2"	58	20	89
59.34.08.0.000	3/4"	74	25	103
59.10.09.0.000	1"	79	32	117
59.54.10.0.000	1 1/4"	102	40	136
59.64.11.0.000	1 1/2"	115	50	146
59.20.12.0.000	2"	148	63	176



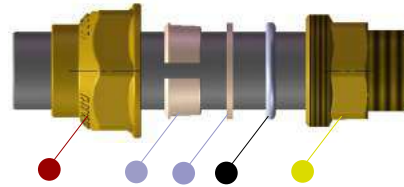
Spojnice tip H

Couplings type H

Montaža / Installation



Delovi / Parts



Deo Part	Oznaka Mark	Materijal Material
Telo Body	●	CW 617N EN12165
Navrtka Nut	●	CW 617N EN12165
Prsten Ring	●	CW 614N EN12164
Zaptivač Cone-shaped sealing	●	NBR

Uputstvo za montažu

Isecite cev pod pravim uglom koristeći odgovarajući alat i otklonite vrhove i neravnine sa spoljne ivice cevi. Stavite navrtku i kompresioni prsten sa spoljašnje strane cevi. Postavite O-prsten na prvobitnu poziciju u telu spojnice, gurnite cev u telo sve do tela spojnice, vodeći računa da ne pomerite O-prsten. Pritegnite navrtku ručno, koliko je to moguće. Prednji deo elastičnog prstena će se simetrično saviti oko cevi i njegovo ozubljenje će prodrati u zid cevi, omogućavajući jaku vezu i obezbeđujući da se spojnica ne izvuče iz cevi. Koristeći odgovarajući ključ ili vodoinstalaterska klešta, izvršiti dodatno pritezanje navrtke, prema broju okretanja datim ispod:

Za artikle dimenzija od Ø20 - Ø32 (1/2" - 1") - min 1 - max 1,5 obrtaja

Za artikle dimenzija od Ø40 - Ø63 (1 1/4" - 2") - min 1,5 - max 2 obrtaja

Assembling instructions

Cut the pipe straight across by using appropriate tool and remove all burrs and bevels from the outer edge of the pipe. Put the nut and compression ring on the outside of the pipe. Place O-ring on original position of the socket. Push the pipe to the socket until it is totally against the bottom of socket, taking care that O-ring remain in the original position. Tight the nut by hand as much as possible. The front part of elastic ring will bend symmetrically onto the pipe, and the teeth will penetrate into the wall of the pipe, providing the strong connection and preventing the pull-out of the pipe. Use the spanner for additional straining, according to the number of turns show below:

For articles dimensions from Ø20 - Ø32 (1/2" - 1") - min 1 - max 1,5 turns

For articles dimensions from Ø40 - Ø63 (1 1/4" - 2") - min 1,5 - max 2 turns

Tehnička specifikacija

Primena: Za PE cevi prema EN ISO 12201

Pritisak: PN25

Materijal: CW 617N EN 12165

Dimenzije: prema EN 1254-3

Navoj: prema ISO 228 (EN 1254-4)

Otpornost na decinfikaciju: EN ISO 6509

Naponska korozija: ISO 6957

Nepropusnost pod dejstvom unutrašnjeg pritiska: EN 715

Nepropusnost pri savijanju: EN 713

Otpornost na izvlačenje: EN 712

Technical specifications

Assembly instructions: PE pipe connectors, compression type

Application: For PE pipes according to EN ISO 12201

Pressure rating: PN25

Materials: CW 617N EN 12165

Dimensions: EN 1254-3

Threads: ISO 228 (EN 1254-4)

Dezincification resistance: EN ISO 6509

Stress corrosion: ISO 6957

Tightness in positive pressure: EN 715

Tightness on bending: EN 713

Pull-out: EN 712

Spojnice tip N01

Couplings type N01



Poluspojnica sa elastičnim prstenom SN tip N01

Single joint for PE pipe with male thread type N01



Šifra proizvoda Code	Veličina Size	Veličina creva Pipe dimension	Pakovanje Pack	Težina [kg] Weight
02.12.01.2.N01.CR	1/2"	Ø20	100	0,085
02.34.02.2.N01.CR	3/4"	Ø25	50	0,105
02.10.03.2.N01.CR	1"	Ø32	50	0,170
02.54.04.2.N01.CR	1 1/4"	Ø40	20	0,336
02.64.05.2.N01.CR	1 1/2"	Ø50	10	0,460
02.20.06.2.N01.CR	2"	Ø63	5	0,830

Poluspojnica sa elastičnim prstenom UN tip N01

Single joint for PE pipe with female thread type N01



Šifra proizvoda Code	Veličina Size	Veličina creva Pipe dimension	Pakovanje Pack	Težina [kg] Weight
02.12.19.0.N01.CR	1/2"	Ø20	100	0,091
02.34.20.0.N01.CR	3/4"	Ø25	50	0,116
02.10.21.0.N01.CR	1"	Ø32	50	0,217
02.54.22.0.N01.CR	1 1/4"	Ø40	20	0,315
02.64.23.0.N01.CR	1 1/2"	Ø50	10	0,570
02.20.24.0.N01.CR	2"	Ø63	5	1,040

Spojnica sa elastičnim prstenom tip N01

Straight joint for PE pipe type N01



Šifra proizvoda Code	Veličina Size	Veličina creva Pipe dimension	Pakovanje Pack	Težina [kg] Weight
02.12.01.3.N01.CR	1/2"	Ø20	75	0,142
02.34.02.3.N01.CR	3/4"	Ø25	50	0,212
02.10.03.3.N01.CR	1"	Ø32	50	0,300
02.54.04.3.N01.CR	1 1/4"	Ø40	20	0,511
02.64.05.3.N01.CR	1 1/2"	Ø50	10	0,786
02.20.06.3.N01.CR	2"	Ø63	5	1,172

Spojnice tip N01

Couplings type N01

Ugaona poluspojnica sa elastičnim prstenom SN tip N01

Angle joint for PE pipe with male thread type N01



Šifra proizvoda Code	Veličina Size	Veličina creva Pipe dimension	Pakovanje Pack	Težina [kg] Weight
58.12.01.0.N01.CR	1/2"	Ø20	75	0,125
58.34.02.0.N01.CR	3/4"	Ø25	50	0,172
58.10.03.0.N01.CR	1"	Ø32	50	0,387
58.54.04.0.N01.CR	1 1/4"	Ø40	20	0,549
58.64.05.0.N01.CR	1 1/2"	Ø50	10	0,732
58.20.06.0.N01.CR	2"	Ø63	5	1,256

Ugaona poluspojnica sa elastičnim prstenom UN tip N01

Angle joint for PE pipe with female thread type N01



Šifra proizvoda Code	Veličina Size	Veličina creva Pipe dimension	Pakovanje Pack	Težina [kg] Weight
58.12.01.1.N01.CR	1/2"	Ø20	75	0,131
58.34.02.1.N01.CR	3/4"	Ø25	50	0,181
58.10.03.1.N01.CR	1"	Ø32	50	0,412
58.54.04.1.N01.CR	1 1/4"	Ø40	20	0,564
58.64.05.1.N01.CR	1 1/2"	Ø50	10	0,792
58.20.06.1.N01.CR	2"	Ø63	5	1,412

Ugaona spojnica sa elastičnim prstenom tip N01

Angle joint for PE pipe type N01



Šifra proizvoda Code	Veličina Size	Veličina creva Pipe dimension	Pakovanje Pack	Težina [kg] Weight
58.12.01.2.N01.CR	1/2"	Ø20	75	0,185
58.34.02.2.N01.CR	3/4"	Ø25	50	0,261
58.10.03.2.N01.CR	1"	Ø32	50	0,443
58.54.04.2.N01.CR	1 1/4"	Ø40	20	0,592
58.64.05.2.N01.CR	1 1/2"	Ø50	10	0,893
58.20.06.2.N01.CR	2"	Ø63	5	1,754

T - spojnica sa elastičnim prstenom SN tip N01

T - joint for PE pipe with male thread type N01



Šifra proizvoda Code	Veličina Size	Veličina creva Pipe dimension	Pakovanje Pack	Težina [kg] Weight
59.12.01.1.N01.CR	1/2"	Ø20	75	0,222
59.34.02.1.N01.CR	3/4"	Ø25	50	0,295
59.10.03.1.N01.CR	1"	Ø32	50	0,485
59.54.04.1.N01.CR	1 1/4"	Ø40	20	0,742
59.64.05.1.N01.CR	1 1/2"	Ø50	10	1,101
59.20.06.1.N01.CR	2"	Ø63	5	1,671

Spojnice tip N01

Couplings type N01

T - spojnica sa elastičnim prstenom UN tip N01

T - joint for PE pipe with female thread type N01



Šifra proizvoda Code	Veličina Size	Veličina creva Pipe dimension	Pakovanje Pack	Težina [kg] Weight
59.12.01.2.N01.CR	1/2"	Ø20	75	0,231
59.34.02.2.N01.CR	3/4"	Ø25	50	0,301
59.10.03.2.N01.CR	1"	Ø32	50	0,538
59.54.04.2.N01.CR	1 1/4"	Ø40	20	0,795
59.64.05.2.N01.CR	1 1/2"	Ø50	10	1,221
59.20.06.2.N01.CR	2"	Ø63	5	1,822

T - spojnica sa elastičnim prstenom tip N01

T - joint for PE pipe type N01



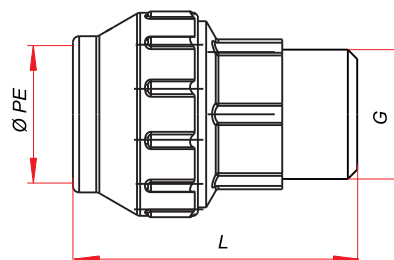
Šifra proizvoda Code	Veličina Size	Veličina creva Pipe dimension	Pakovanje Pack	Težina [kg] Weight
59.12.01.0.N01.CR	1/2"	Ø20	75	0,240
59.34.02.0.N01.CR	3/4"	Ø25	50	0,312
59.10.03.0.N01.CR	1"	Ø32	50	0,598
59.54.04.0.N01.CR	1 1/4"	Ø40	20	0,832
59.64.05.0.N01.CR	1 1/2"	Ø50	10	1,294
59.20.06.0.N01.CR	2"	Ø63	5	1,980

Dimenzije / Dimensions

Poluspojnica sa elastičnim prstenom SN tip N01

Single joint for PE pipe with male thread type N01

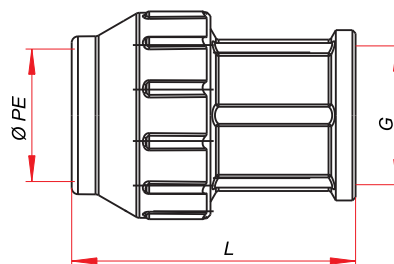
Šifra Code	Veličina Size	G ["]	ØPE [mm]	L [mm]
02.12.01.2.N01.CR	1/2"	1/2"	20	41
02.34.02.2.N01.CR	3/4"	3/4"	25	43
02.10.03.2.N01.CR	1"	1"	32	51
02.54.04.2.N01.CR	1 1/4"	1 1/4"	40	69
02.64.05.2.N01.CR	1 1/2"	1 1/2"	50	76
02.20.06.2.N01.CR	2"	2"	63	89



Poluspojnica sa elastičnim prstenom UN tip N01

Single joint for PE pipe with female thread type N01

Šifra Code	Veličina Size	G ["]	ØPE [mm]	L [mm]
02.12.19.0.N01.CR	1/2"	1/2"	20	45
02.34.20.0.N01.CR	3/4"	3/4"	25	49
02.10.21.0.N01.CR	1"	1"	32	57
02.54.22.0.N01.CR	1 1/4"	1 1/4"	40	67
02.64.23.0.N01.CR	1 1/2"	1 1/2"	50	72
02.20.24.0.N01.CR	2"	2"	63	85



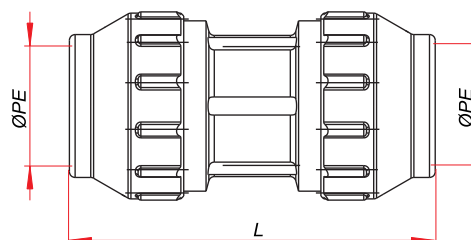
Spojnice tip N01

Couplings type N01

Spojnica sa elastičnim prstenom tip N01

Straight joint for PE pipe type N01

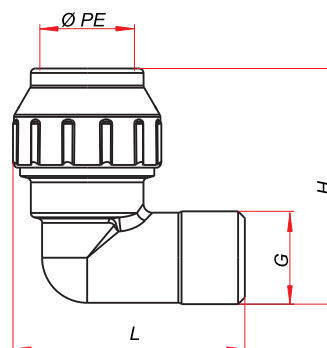
Šifra Code	Veličina Size	ØPE [mm]	L [mm]
02.12.01.3.N01.CR	1/2"	20	43
02.34.02.3.N01.CR	3/4"	25	56
02.10.03.3.N01.CR	1"	32	70
02.54.04.3.N01.CR	1 1/4"	40	96
02.64.05.3.N01.CR	1 1/2"	50	108
02.20.06.3.N01.CR	2"	63	122



Ugaona poluspojnica sa elastičnim prstenom SN tip N01

Angle joint for PE pipe with male thread type N01

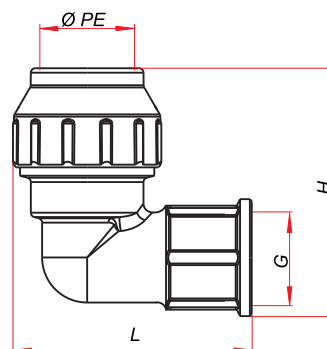
Šifra Code	Veličina Size	G ["]	H [mm]	ØPE [mm]	L [mm]
58.12.01.0.N01.CR	1/2"	1/2"	48	20	44
58.34.02.0.N01.CR	3/4"	3/4"	54	25	50
58.10.03.0.N01.CR	1"	1"	67	32	61
58.54.04.0.N01.CR	1 1/4"	1 1/4"	81	40	70
58.64.05.0.N01.CR	1 1/2"	1 1/2"	105	50	81
58.20.06.0.N01.CR	2"	2"	120	63	103



Ugaona poluspojnica sa elastičnim prstenom UN tip N01

Angle joint for PE pipe with female thread type N01

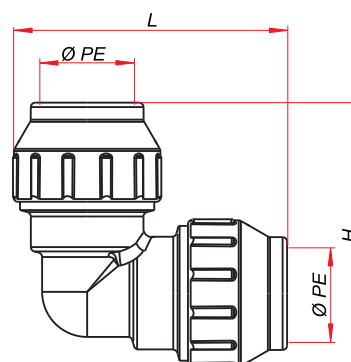
Šifra Code	Veličina Size	G ["]	H [mm]	ØPE [mm]	L [mm]
58.12.01.1.N01.CR	1/2"	1/2"	51	20	47
58.34.02.1.N01.CR	3/4"	3/4"	57	25	55
58.10.03.1.N01.CR	1"	1"	61	32	67
58.54.04.1.N01.CR	1 1/4"	1 1/4"	86	40	78
58.64.05.1.N01.CR	1 1/2"	1 1/2"	111	50	83
58.20.06.1.N01.CR	2"	2"	127	63	106



Ugaona spojnica sa elastičnim prstenom tip N01

Angle joint for PE pipe type N01

Šifra Code	Veličina Size	G ["]	H [mm]	ØPE [mm]	L [mm]
58.12.01.2.N01.CR	1/2"	1/2"	55	20	55
58.34.02.2.N01.CR	3/4"	3/4"	62	25	62
58.10.03.2.N01.CR	1"	1"	85	32	85
58.54.04.2.N01.CR	1 1/4"	1 1/4"	100	40	100
58.64.05.2.N01.CR	1 1/2"	1 1/2"	117	50	117
58.20.06.2.N01.CR	2"	2"	150	63	150



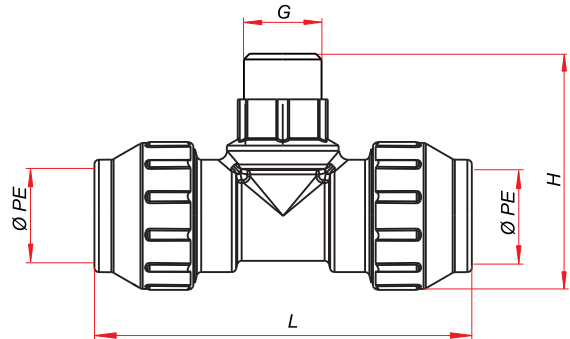
Spojnice tip N01

Couplings type N01

T - spojnica sa elastičnim prstenom SN tip N01

T - joint for PE pipe with male thread type N01

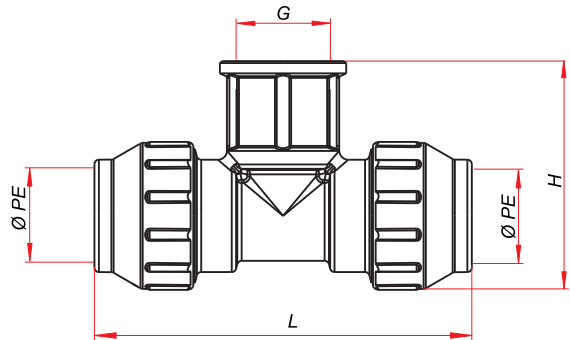
Šifra Code	Veličina Size	G ["]	H [mm]	ØPE [mm]	L [mm]
59.12.01.1.N01.CR	1/2"	1/2"	44	20	83
59.34.02.1.N01.CR	3/4"	3/4"	50	25	89
59.10.03.1.N01.CR	1"	1"	61	32	115
59.54.04.1.N01.CR	1 1/4"	1 1/4"	70	40	132
59.64.05.1.N01.CR	1 1/2"	1 1/2"	81	50	150
59.20.06.1.N01.CR	2"	2"	103	63	180



T - spojnica sa elastičnim prstenom UN tip N01

T - joint for PE pipe with female thread type N01

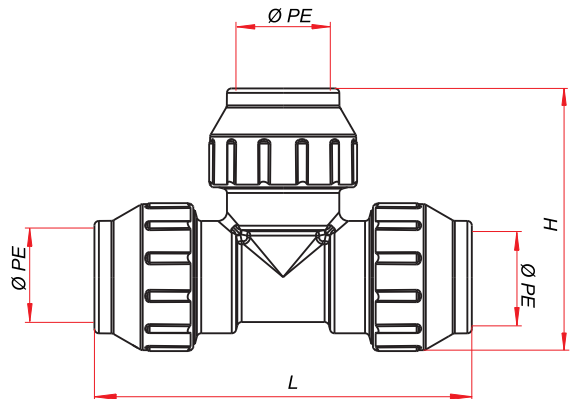
Šifra Code	Veličina Size	G ["]	H [mm]	ØPE [mm]	L [mm]
59.12.01.2.N01.CR	1/2"	1/2"	47	20	83
59.34.02.2.N01.CR	3/4"	3/4"	55	25	89
59.10.03.2.N01.CR	1"	1"	67	32	115
59.54.04.2.N01.CR	1 1/4"	1 1/4"	78	40	132
59.64.05.2.N01.CR	1 1/2"	1 1/2"	83	50	150
59.20.06.2.N01.CR	2"	2"	106	63	180



T - spojnica sa elastičnim prstenom tip N01

T - joint for PE pipe type N01

Šifra Code	Veličina Size	G ["]	H [mm]	ØPE [mm]	L [mm]
59.12.01.0.N01.CR	1/2"	1/2"	55	20	83
59.34.02.0.N01.CR	3/4"	3/4"	62	25	89
59.10.03.0.N01.CR	1"	1"	85	32	115
59.54.04.0.N01.CR	1 1/4"	1 1/4"	100	40	132
59.64.05.0.N01.CR	1 1/2"	1 1/2"	117	50	150
59.20.06.0.N01.CR	2"	2"	150	63	180



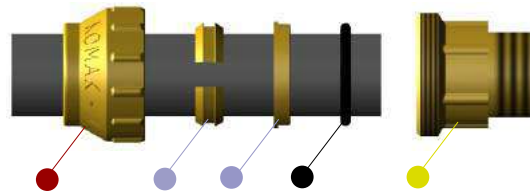
Spojnice tip N01

Couplings type N01

Montaža / Installation



Delovi / Parts



Deo Part	Oznaka Mark	Materijal Material
Telo Body	●	CW 602N EN12165
Navrtka Nut	●	CW 602N EN12165
Prsten Ring	●	CW 614N EN12164
Zaptivač Cone-shaped sealing	●	NBR

Uputstvo za montažu

Isecite cev pod pravim uglom koristeći odgovarajući alat i otklonite vrhove i neravnine sa spoljne ivice cevi. Stavite navrtku i kompresioni prsten sa spoljašnje strane cevi. Postavite O-prsten na prvobitnu poziciju u telu spojnice, gurnite cev u telo sve do tela spojnice, vodeći računa da ne pomerite O-prsten. Pritegnite navrtku ručno, koliko je to moguće. Prednji deo elastičnog prstena će se simetrično saviti oko cevi i njegovo ozubljenje će prodrati u zid cevi, omogućavajući jaku vezu i obezbeđujući da se spojnica ne izvuče iz cevi. Koristeći odgovarajući ključ ili vodoinstalaterska klešta, izvršiti dodatno pritezanje navrtke, prema broju okretanja datim ispod:

Za artikle dimenzija od Ø20 - Ø32 (1/2" - 1") - min 1 - max 1,5 obrtaja

Za artikle dimenzija od Ø40 - Ø63 (1 1/4" - 2") - min 1,5 - max 2 obrtaja

Assembling instructions

Cut the pipe straight across by using appropriate tool and remove all burrs and bevels from the outer edge of the pipe. Put the nut and compression ring on the outside of the pipe. Place O-ring on original position of the socket. Push the pipe to the socket until it is totally against the bottom of socket, taking care that O-ring remain in the original position. Tight the nut by hand as much as possible. The front part of elastic ring will bend symmetrically onto the pipe, and the teeth will penetrate into the wall of the pipe, providing the strong connection and preventing the pull-out of the pipe. Use the spanner for additional straining, according to the number of turns show below:

For articles dimensions from Ø20 - Ø32 (1/2" - 1") - min 1 - max 1,5 turns

For articles dimensions from Ø40 - Ø63 (1 1/4" - 2") - min 1,5 - max 2 turns

Tehnička specifikacija

Primena: Za PE cevi prema EN ISO 12201
 Pritisak: PN25
 Materijal: CW 602N EN 12165
 Dimenzije: prema EN 1254-3
 Navoj: prema ISO 228 (EN 1254-4)
 Otpornost na decinfikaciju: EN ISO 6509
 Naponska korozija: ISO 6957
 Nepropusnost pod dejstvom unutrašnjeg pritiska: EN 715
 Nepropusnost pri savijanju: EN 713
 Otpornost na izvlačenje: EN 712

Technical specifications

Assembly instructions: PE pipe connectors, compression type
 Application: For PE pipes according to EN ISO 12201
 Pressure rating: PN25
 Materials: CW 602N EN 12165
 Dimensions: EN 1254-3
 Threads: ISO 228 (EN 1254-4)
 Dezincification resistance: EN ISO 6509
 Stress corrosion: ISO 6957
 Tightness in positive pressure: EN 715
 Tightness on bending: EN 713
 Pull-out: EN 712

Spojnice tip N02

Couplings type N02



Poluspojnica sa elastičnim prstenom SN tip N02

Single joint for PE pipe with male thread type N02



Šifra proizvoda Code	Veličina Size	Veličina creva Pipe dimension	Pakovanje Pack	Težina [kg] Weight
02.12.07.0.N02.CR	1/2"	Ø20	100	0,076
02.34.08.0.N02.CR	3/4"	Ø25	50	0,120
02.10.09.0.N02.CR	1"	Ø32	50	0,196
02.54.10.0.N02.CR	1 1/4"	Ø40	20	0,309
02.64.11.0.N02.CR	1 1/2"	Ø50	10	0,438
02.20.12.0.N02.CR	2"	Ø63	5	0,706

Poluspojnica sa elastičnim prstenom UN tip N02

Single joint for PE pipe with female thread type N02



Šifra proizvoda Code	Veličina Size	Veličina creva Pipe dimension	Pakovanje Pack	Težina [kg] Weight
02.12.25.0.N02.CR	1/2"	Ø20	100	0,095
02.34.26.0.N02.CR	3/4"	Ø25	50	0,121
02.10.27.0.N02.CR	1"	Ø32	50	0,248
02.54.28.0.N02.CR	1 1/4"	Ø40	20	0,326
02.64.29.0.N02.CR	1 1/2"	Ø50	10	0,596
02.20.30.0.N02.CR	2"	Ø63	5	1,107

Spojnica sa elastičnim prstenom tip N02

Straight joint for PE pipe type N02



Šifra proizvoda Code	Veličina Size	Veličina creva Pipe dimension	Pakovanje Pack	Težina [kg] Weight
02.12.07.3.N02.CR	1/2"	Ø20	75	0,146
02.34.08.3.N02.CR	3/4"	Ø25	50	0,262
02.10.09.3.N02.CR	1"	Ø32	50	0,361
02.54.10.3.N02.CR	1 1/4"	Ø40	20	0,533
02.64.11.3.N02.CR	1 1/2"	Ø50	10	0,838
02.20.12.3.N02.CR	2"	Ø63	5	1,306

Spojnice tip N02

Couplings type N02

Ugaona poluspojnica sa elastičnim prstenom tip N02

Angle joint for PE pipe type N02



Šifra proizvoda Code	Veličina Size	Veličina creva Pipe dimension	Pakovanje Pack	Težina [kg] Weight
58.12.07.0.N02.CR	1/2"	Ø20	75	0,131
58.34.08.0.N02.CR	3/4"	Ø25	50	0,197
58.10.09.0.N02.CR	1"	Ø32	50	0,412
58.54.10.0.N02.CR	1 1/4"	Ø40	20	0,560
58.64.11.0.N02.CR	1 1/2"	Ø50	10	0,758
58.20.12.0.N02.CR	2"	Ø63	5	1,199

Ugaona poluspojnica sa elastičnim prstenom UN tip N02

Angle joint for PE pipe with female thread type N02



Šifra proizvoda Code	Veličina Size	Veličina creva Pipe dimension	Pakovanje Pack	Težina [kg] Weight
58.12.07.1.N02.CR	1/2"	Ø20	75	0,137
58.34.08.1.N02.CR	3/4"	Ø25	50	0,203
58.10.09.1.N02.CR	1"	Ø32	50	0,437
58.54.10.1.N02.CR	1 1/4"	Ø40	20	0,575
58.64.11.1.N02.CR	1 1/2"	Ø50	10	0,818
58.20.12.1.N02.CR	2"	Ø63	5	1,469

Ugaona spojnica sa elastičnim prstenom tip N02

Angle joint for PE pipe type N02



Šifra proizvoda Code	Veličina Size	Veličina creva Pipe dimension	Pakovanje Pack	Težina [kg] Weight
58.12.07.2.N02.CR	1/2"	Ø20	75	0,191
58.34.08.2.N02.CR	3/4"	Ø25	50	0,285
58.10.09.2.N02.CR	1"	Ø32	50	0,468
58.54.10.2.N02.CR	1 1/4"	Ø40	20	0,603
58.64.11.2.N02.CR	1 1/2"	Ø50	10	0,919
58.20.12.2.N02.CR	2"	Ø63	5	1,801

T - spojnica sa elastičnim prstenom SN tip N02

T - joint for PE pipe with male thread type N02



Šifra proizvoda Code	Veličina Size	Veličina creva Pipe dimension	Pakovanje Pack	Težina [kg] Weight
59.12.07.1.N02.CR	1/2"	Ø20	75	0,236
59.34.08.1.N02.CR	3/4"	Ø25	50	0,320
59.10.09.1.N02.CR	1"	Ø32	50	0,510
59.54.10.1.N02.CR	1 1/4"	Ø40	20	0,761
59.64.11.1.N02.CR	1 1/2"	Ø50	10	1,126
59.20.12.1.N02.CR	2"	Ø63	5	1,726

Spojnice tip N02

Couplings type N02

T - spojnica sa elastičnim prstenom UN tip N02

T - joint for PE pipe with female thread type N02



Šifra proizvoda Code	Veličina Size	Veličina creva Pipe dimension	Pakovanje Pack	Težina [kg] Weight
59.12.07.2.N02.CR	1/2"	Ø20	75	0,245
59.34.08.2.N02.CR	3/4"	Ø25	50	0,325
59.10.09.2.N02.CR	1"	Ø32	50	0,563
59.54.10.2.N02.CR	1 1/4"	Ø40	20	0,814
59.64.11.2.N02.CR	1 1/2"	Ø50	10	1,247
59.20.12.2.N02.CR	2"	Ø63	5	1,877

T - spojnica sa elastičnim prstenom tip N02

T - joint for PE pipe type N02



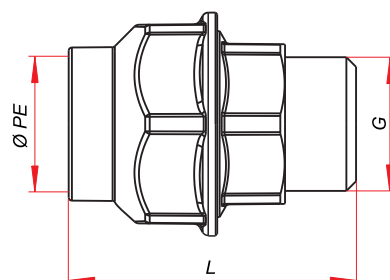
Šifra proizvoda Code	Veličina Size	Veličina creva Pipe dimension	Pakovanje Pack	Težina [kg] Weight
59.12.07.0.N02.CR	1/2"	Ø20	75	0,272
59.34.08.0.N02.CR	3/4"	Ø25	50	0,362
59.10.09.0.N02.CR	1"	Ø32	50	0,691
59.54.10.0.N02.CR	1 1/4"	Ø40	20	0,865
59.64.11.0.N02.CR	1 1/2"	Ø50	10	1,372
59.20.12.0.N02.CR	2"	Ø63	5	2,181

Dimenzije / Dimensions

Poluspojnica sa elastičnim prstenom tip N02

Single joint for PE pipe with male thread type N02

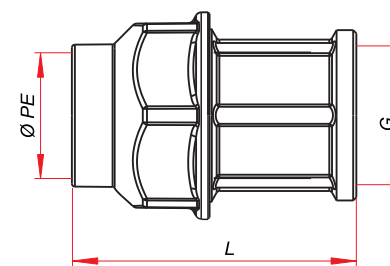
Šifra Code	Veličina Size	G ["]	ØPE [mm]	L [mm]
02.12.07.0.N02.CR	1/2"	1/2"	20	44
02.34.08.0.N02.CR	3/4"	3/4"	25	55
02.10.09.0.N02.CR	1"	1"	32	61
02.54.10.0.N02.CR	1 1/4"	1 1/4"	40	71
02.64.11.0.N02.CR	1 1/2"	1 1/2"	50	74
02.20.12.0.N02.CR	2"	2"	63	87



Poluspojnica sa elastičnim prstenom UN tip N02

Single joint for PE pipe with female thread type N02

Šifra Code	Veličina Size	G ["]	ØPE [mm]	L [mm]
02.12.25.0.N02.CR	1/2"	1/2"	20	48
02.34.26.0.N02.CR	3/4"	3/4"	25	61
02.10.27.0.N02.CR	1"	1"	32	65
02.54.28.0.N02.CR	1 1/4"	1 1/4"	40	70
02.64.29.0.N02.CR	1 1/2"	1 1/2"	50	72
02.20.30.0.N02.CR	2"	2"	63	83



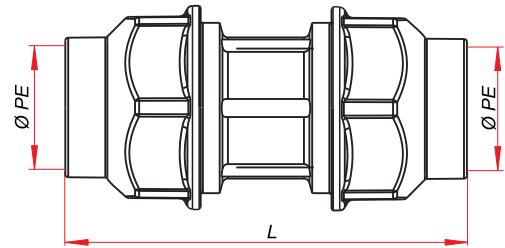
Spojnice tip N02

Couplings type N02

Spojnica sa elastičnim prstenom tip N02

Straight joint for PE pipe type N02

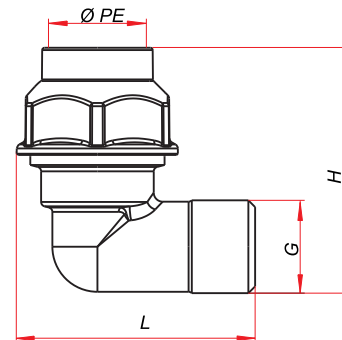
Šifra Code	Veličina Size	ØPE [mm]	L [mm]
02.12.07.3.N02.CR	1/2"	20	49
02.34.08.3.N02.CR	3/4"	25	66
02.10.09.3.N02.CR	1"	32	73
02.54.10.3.N02.CR	1 1/4"	40	99
02.64.11.3.N02.CR	1 1/2"	50	104
02.20.12.3.N02.CR	2"	63	118



Ugaona poluspojnica sa elastičnim prstenom tip N02

Angle joint for PE pipe type N02

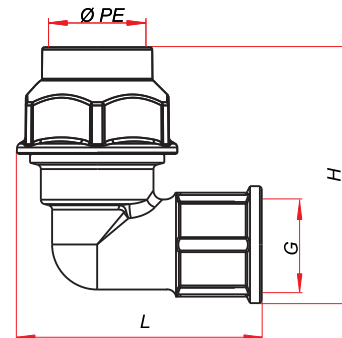
Šifra Code	Veličina Size	G ["]	H [mm]	ØPE [mm]	L [mm]
58.12.07.0.N02.CR	1/2"	1/2"	51	20	46
58.34.08.0.N02.CR	3/4"	3/4"	66	25	53
58.10.09.0.N02.CR	1"	1"	78	32	64
58.54.10.0.N02.CR	1 1/4"	1 1/4"	83	40	75
58.64.11.0.N02.CR	1 1/2"	1 1/2"	103	50	85
58.20.12.0.N02.CR	2"	2"	118	63	107



Ugaona poluspojnica sa elastičnim prstenom UN tip N02

Angle joint for PE pipe with female thread type N02

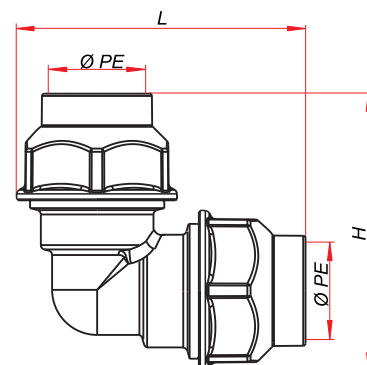
Šifra Code	Veličina Size	G ["]	H [mm]	ØPE [mm]	L [mm]
58.12.07.1.N02.CR	1/2"	1/2"	57	20	50
58.34.08.1.N02.CR	3/4"	3/4"	65	25	60
58.10.08.1.N02.CR	1"	1"	72	32	73
58.54.10.1.N02.CR	1 1/4"	1 1/4"	99	40	81
58.64.11.1.N02.CR	1 1/2"	1 1/2"	119	50	85
58.20.12.1.N02.CR	2"	2"	137	63	109



Ugaona spojnica sa elastičnim prstenom tip N02

Angle joint for PE pipe type N02

Šifra Code	Veličina Size	G ["]	H [mm]	ØPE [mm]	L [mm]
58.12.07.2.N02.CR	1/2"	1/2"	61	20	61
58.34.08.2.N02.CR	3/4"	3/4"	72	25	72
58.10.09.2.N02.CR	1"	1"	97	32	97
58.54.10.2.N02.CR	1 1/4"	1 1/4"	116	40	116
58.64.11.2.N02.CR	1 1/2"	1 1/2"	129	50	129
58.20.12.2.N02.CR	2"	2"	164	63	164



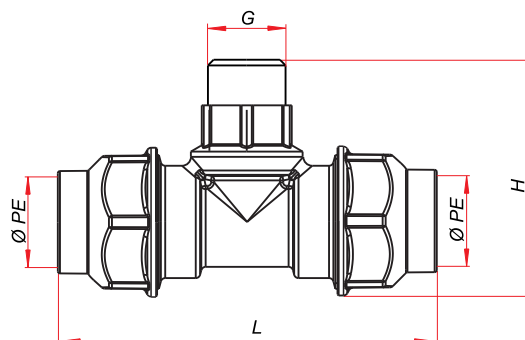
Spojnice tip N02

Couplings type N02

T - spojnica sa elastičnim prstenom SN tip N02

T - joint for PE pipe with male thread type N02

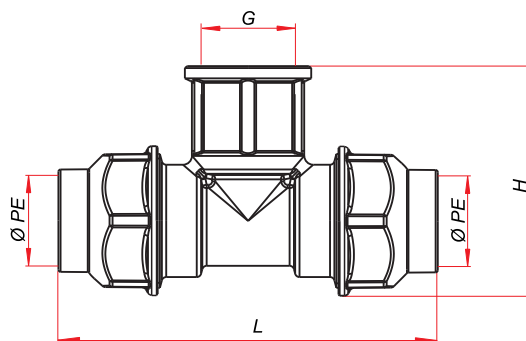
Šifra Code	Veličina Size	G ["]	H [mm]	ØPE [mm]	L [mm]
59.12.07.1.N02.CR	1/2"	1/2"	46	20	89
59.34.08.1.N02.CR	3/4"	3/4"	53	25	103
59.10.09.1.N02.CR	1"	1"	64	32	117
59.54.10.1.N02.CR	1 1/4"	1 1/4"	75	40	136
59.64.11.1.N02.CR	1 1/2"	1 1/2"	85	50	146
59.20.12.1.N02.CR	2"	2"	107	63	176



T - spojnica sa elastičnim prstenom UN tip N02

T - joint for PE pipe with female thread type N02

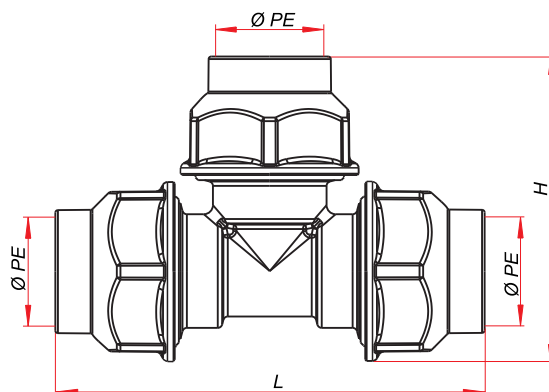
Šifra Code	Veličina Size	G ["]	H [mm]	ØPE [mm]	L [mm]
59.12.07.2.N02.CR	1/2"	1/2"	50	20	89
59.34.08.2.N02.CR	3/4"	3/4"	58	25	103
59.10.09.2.N02.CR	1"	1"	72	32	117
59.54.10.2.N02.CR	1 1/4"	1 1/4"	83	40	136
59.64.11.2.N02.CR	1 1/2"	1 1/2"	89	50	146
59.20.12.2.N02.CR	2"	2"	113	63	176



T - spojnica sa elastičnim prstenom tip N02

T - joint for PE pipe type N02

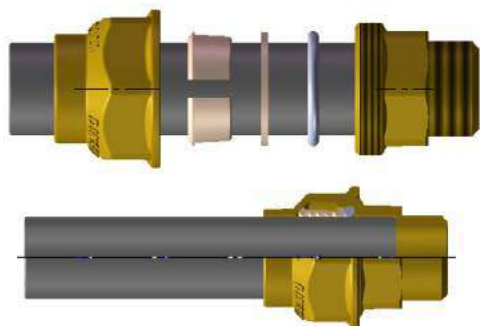
Šifra Code	Veličina Size	H [mm]	ØPE [mm]	L [mm]
59.12.07.0.N02.CR	1/2"	58	20	89
59.34.08.0.N02.CR	3/4"	74	25	103
59.10.09.0.N02.CR	1"	79	32	117
59.54.10.0.N02.CR	1 1/4"	102	40	136
59.64.11.0.N02.CR	1 1/2"	115	50	146
59.20.12.0.N02.CR	2"	148	63	176



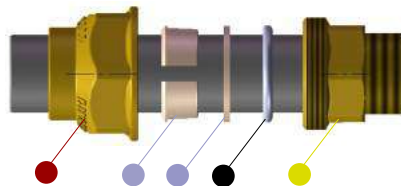
Spojnice tip N02

Couplings type N02

Montaža / Installation



Delovi / Parts



Deo Part	Oznaka Mark	Materijal Material
Telo Body	●	CW 602N EN12165
Navrtka Nut	●	CW 602N EN12165
Prsten Ring	●	CW 614N EN12164
Zaptivač Cone-shaped sealing	●	NBR

Uputstvo za montažu

Isecite cev pod pravim uglom koristeći odgovarajući alat i otklonite vrhove i neravnine sa spoljne ivice cevi. Stavite navrtku i kompresioni prsten sa spoljašnje strane cevi. Postavite O-prsten na prvobitnu poziciju u telu spojnice, gurnite cev u telo sve do tela spojnice, vodeći računa da ne pomerite O-prsten. Pritegnite navrtku ručno, koliko je to moguće. Prednji deo elastičnog prstena će se simetrično saviti oko cevi i njegovo ozubljenje će prodrati u zid cevi, omogućavajući jaku vezu i obezbeđujući da se spojnica ne izvuče iz cevi. Koristeći odgovarajući ključ ili vodoinstalaterska klešta, izvršiti dodatno pritezanje navrtke, prema broju okretanja datim ispod:

Za artikle dimenzija od Ø20 - Ø32 (1/2" - 1") - min 1 - max 1,5 obrtaja

Za artikle dimenzija od Ø40 - Ø63 (1 1/4" - 2") - min 1,5 - max 2 obrtaja

Assembling instructions

Cut the pipe straight across by using appropriate tool and remove all burrs and bevels from the outer edge of the pipe. Put the nut and compression ring on the outside of the pipe. Place O-ring on original position of the socket. Push the pipe to the socket until it is totally against the bottom of socket, taking care that O-ring remain in the original position. Tight the nut by hand as much as possible. The front part of elastic ring will bend symmetrically onto the pipe, and the teeth will penetrate into the wall of the pipe, providing the strong connection and preventing the pull-out of the pipe. Use the spanner for additional straining, according to the number of turns show below:

For articles dimensions from Ø20 - Ø32 (1/2" - 1") - min 1 - max 1,5 turns

For articles dimensions from Ø40 - Ø63 (1 1/4" - 2") - min 1,5 - max 2 turns

Tehnička specifikacija

Primena: Za PE cevi prema EN ISO 12201

Pritisak: PN25

Materijal: CW 602N EN 12165

Dimenzije: prema EN 1254-3

Navoj: prema ISO 228 (EN 1254-4)

Otpornost na decinfikaciju: EN ISO 6509

Naponska korozija: ISO 6957

Nepropusnost pod dejstvom unutrašnjeg pritiska: EN 715

Nepropusnost pri savijanju: EN 713

Otpornost na izvlačenje: EN 712

Technical specifications

Assembly instructions: PE pipe connectors, compression type

Application: For PE pipes according to EN ISO 12201

Pressure rating: PN25

Materials: CW 602N EN 12165

Dimensions: EN 1254-3

Threads: ISO 228 (EN 1254-4)

Dezincification resistance: EN ISO 6509

Stress corrosion: ISO 6957

Tightness in positive pressure: EN 715

Tightness on bending: EN 713

Pull-out: EN 712

Klizna spojnica

Fitting for iron pipes



Klizna spojnica UN

Single joint - female



Šifra proizvoda Code	Veličina Size	Pakovanje Pack	Težina Weight [kg]
37.12.01.0.000	1/2"	50	0,160
37.34.02.0.000	3/4"	30	0,274
37.10.03.0.000	1"	25	0,387
37.54.04.0.000	1 1/4"	15	0,645
37.64.05.0.000	1 1/2"	15	0,750
37.20.06.0.000	2"	10	1,075

Klizna dupla spojnica

Straight joint



Šifra proizvoda Code	Veličina Size	Pakovanje Pack	Težina Weight [kg]
37.12.01.1.000	1/2"	50	0,217
37.34.02.1.000	3/4"	30	0,370
37.10.03.1.000	1"	25	0,538
37.54.04.1.000	1 1/4"	15	0,797
37.64.05.1.000	1 1/2"	15	0,949
37.20.06.1.000	2"	10	1,352

Klizna spojnica SN

Single joint - male

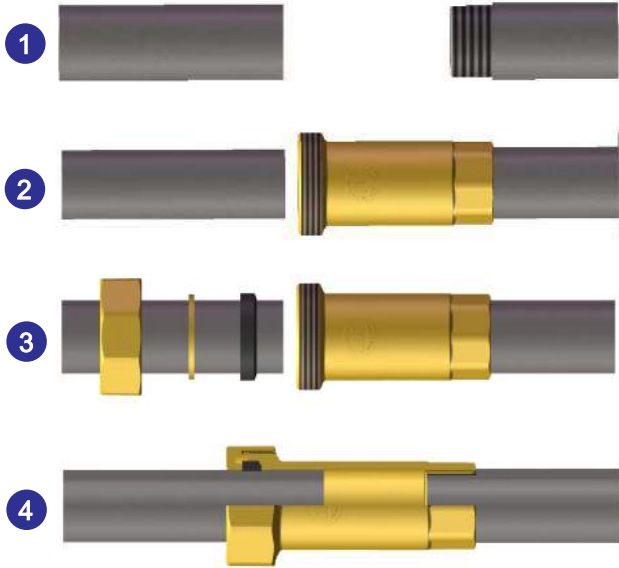


Šifra proizvoda Code	Veličina Size	Pakovanje Pack	Težina Weight [kg]
37.12.01.2.000	1/2"	50	0,169
37.34.02.2.000	3/4"	30	0,271
37.10.03.2.000	1"	25	0,415
37.54.04.2.000	1 1/4"	15	0,685
37.64.05.2.000	1 1/2"	15	0,805
37.20.06.2.000	2"	10	1,125

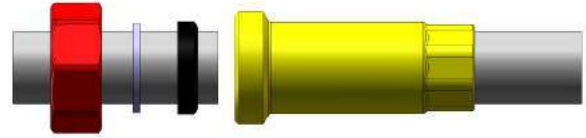
Klizna spojnica

Fitting for iron pipes

Montaža / Installation



Delovi / Parts

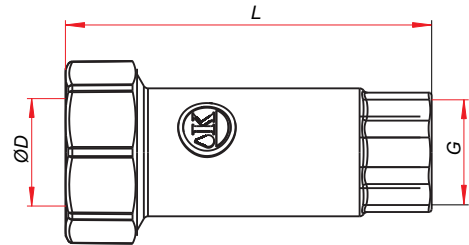


Deo Part	Oznaka Mark	Materijal Material
Telo Body		CW 617N EN12165
Navrtka Screw nut		CW 617N EN12165
Prsten Ring		CW 617N EN12165
Zaptivač Cone-shaped sealing		NBR

Dimenzije / Dimensions

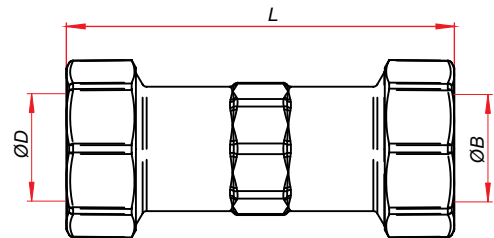
Klizna spojnica UN Single joint - female

Šifra Code	Veličina Size	G ["]	ØD [mm]	L [mm]
37.12.01.0.000	1/2"	1/2"	21,3	77
37.34.02.0.000	3/4"	3/4"	26,9	82
37.10.03.0.000	1"	1"	33,7	94
37.54.04.0.000	1 1/4"	1 1/4"	42,4	107
37.64.05.0.000	1 1/2"	1 1/2"	48,3	114
37.20.06.0.000	2"	2"	60,3	120



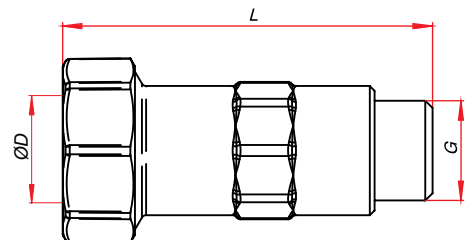
Dupla klizna spojnica Straight joint

Šifra Code	Veličina Size	ØB [mm]	ØD [mm]	L [mm]
37.12.01.1.000	1/2"	21,3	21,3	83
37.34.02.1.000	3/4"	26,9	26,9	88
37.10.03.1.000	1"	33,7	33,7	103
37.54.04.1.000	1 1/4"	42,4	42,4	115
37.64.05.1.000	1 1/2"	48,3	48,3	130
37.20.06.1.000	2"	60,3	60,3	142

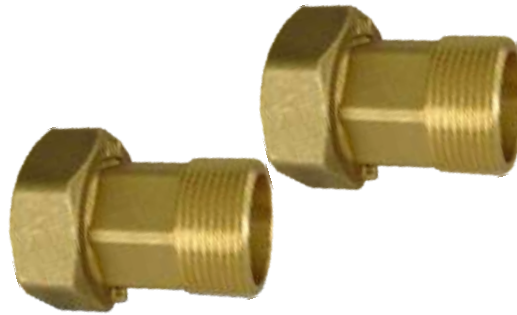


Klizna spojnica SN Single joint - male

Šifra Code	Veličina Size	G ["]	ØD [mm]	L [mm]
37.12.01.2.000	1/2"	1/2"	21,3	77
37.34.02.2.000	3/4"	3/4"	26,9	82
37.10.03.2.000	1"	1"	33,7	94
37.54.04.2.000	1 1/4"	1 1/4"	42,4	107
37.64.05.2.000	1 1/2"	1 1/2"	48,3	114
37.20.06.2.000	2"	2"	60,3	120



Spojnice Couplings



Poluspojnica sa holenderom

End fitting joint for PE pipes



Šifra proizvoda Code	Veličina Size	Veličina creva Pipe dimension	Pakovanje Pack	Težina [kg] Weight
04.12.01.0.000	1/2"	Ø20	100	0,128
04.34.02.0.000	3/4"	Ø25	60	0,185
04.10.03.0.000	1"	Ø32	25	0,328
04.54.04.0.000	1 1/4"	Ø40	20	0,515
04.64.05.0.000	1 1/2"	Ø50	10	0,957
04.20.06.0.000	2"	Ø63	5	1,225

Spojnica sa holenderom

Straight end fitting joint for PE pipes



Šifra proizvoda Code	Veličina Size	Veličina creva Pipe dimension	Pakovanje Pack	Težina [kg] Weight
06.12.01.0.000	1/2"	Ø20	50	0,231
06.34.02.0.000	3/4"	Ø25	25	0,330
06.10.03.0.000	1"	Ø32	20	0,545
06.54.04.0.000	1 1/4"	Ø40	10	0,765
06.64.05.0.000	1 1/2"	Ø50	5	1,801
06.20.06.0.000	2"	Ø63	5	2,650

Ozubljena poluspojnica

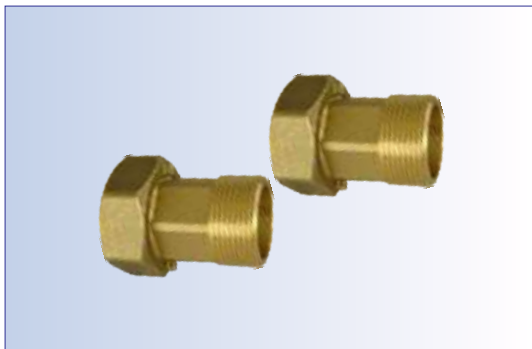
End fitting joint for PE pipes with teeth



Šifra proizvoda Code	Veličina Size	Veličina creva Pipe dimension	Pakovanje Pack	Težina [kg] Weight
05.12.01.0.000	1/2"	Ø20	100	0,055
05.34.02.0.000	3/4"	Ø25	100	0,065
05.10.03.0.000	1"	Ø32	50	0,153
05.54.04.0.000	1 1/4"	Ø40	25	0,225
05.64.05.0.000	1 1/2"	Ø50	10	0,345
05.20.06.0.000	2"	Ø63	10	0,547

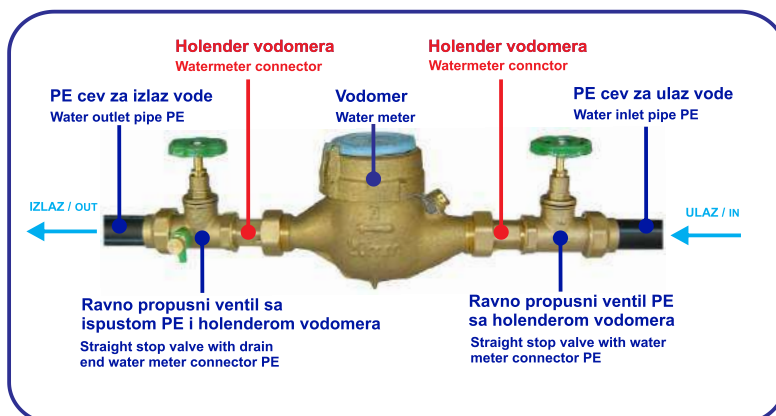
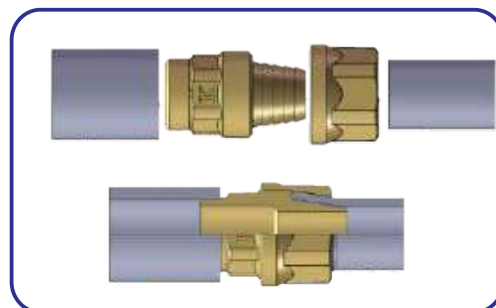
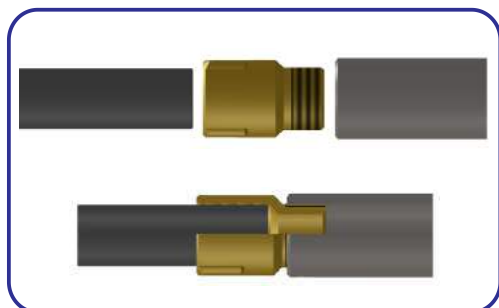
Spojnice Couplings

Holender vodomera Watermeter connector

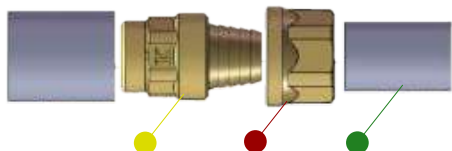


Šifra proizvoda Code	Veličina Size	Pakovanje Pack	Težina Weight [kg]
07.12.07.0.000	1/2"	100	0,149
07.34.08.0.000	3/4"	75	0,243
07.10.09.0.000	1"	50	0,480
07.54.10.0.000	1 1/4"	25	0,646
07.64.11.0.000	1 1/2"	15	0,970
07.20.12.0.000	2"	10	1,768

Montaža / Installation



Delovi / Parts



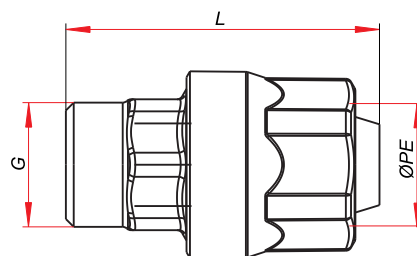
Deo Part	Oznaka Mark	Materijal Material
Telo Body	●	CW 602N EN12165
Navrtka Nut	●	CW 602N EN12165
PE crevo Iron pipe	●	PE

Spojnice Couplings

Dimenzije / Dimensions

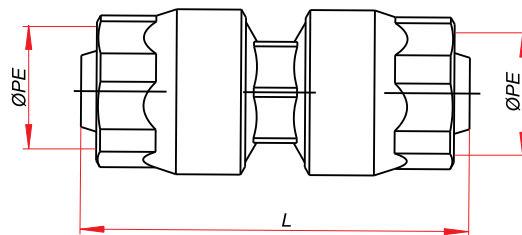
Poluspojnica sa holenderom End fitting joint for PE pipes

Šifra Code	Veličina Size	G ["]	ØPE [mm]	L [mm]
04.12.01.0.000	1/2"	1/2"	20	52
04.34.02.0.000	3/4"	3/4"	25	53
04.10.03.0.000	1"	1"	32	66
04.54.04.0.000	1 1/4"	1 1/4"	40	69
04.64.05.0.000	1 1/2"	1 1/2"	50	84
04.20.06.0.000	2"	2"	63	94



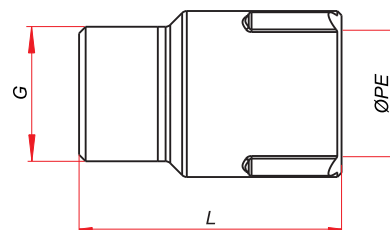
Spojnica sa holenderom Straight end fitting joint for PE pipe

Šifra Code	Veličina Size	ØPE [mm]	L [mm]
06.12.01.0.000	1/2"	20	71
06.34.02.0.000	3/4"	25	71
06.10.03.0.000	1"	32	87
06.54.04.0.000	1 1/4"	40	102
06.64.05.0.000	1 1/2"	50	131
06.20.06.0.000	2"	63	139



Ozubljena poluspojnica End fitting joint for PE pipes with teeth

Šifra Code	Veličina Size	G ["]	ØPE [mm]	L [mm]
05.12.01.0.000	1/2"	1/2"	20	40
05.34.02.0.000	3/4"	3/4"	25	40
05.10.03.0.000	1"	1"	32	55
05.54.04.0.000	1 1/4"	1 1/4"	40	55
05.64.05.0.000	1 1/2"	1 1/2"	50	70
05.20.06.0.000	2"	2"	63	80



Holender vodomera Watermeter connector

Šifra Code	Veličina Size	G ["]	G1 ["]	L [mm]
07.12.07.0.000	1/2"	1/2"	3/4"	40
07.34.08.0.000	3/4"	3/4"	1"	50
07.10.09.0.000	1"	1"	1 1/4"	55
07.54.10.0.000	1 1/4"	1 1/4"	1 1/2"	60
07.64.11.0.000	1 1/2"	1 1/2"	2"	70
07.20.12.0.000	2"	2"	2 1/2"	80

